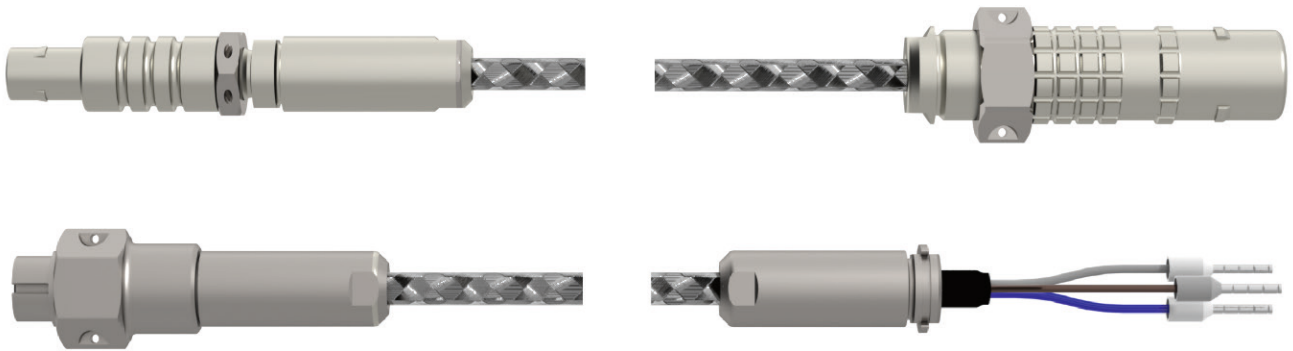


Connecting Cable

Type 1652B...

High Impedance, Two-wire, Low Noise

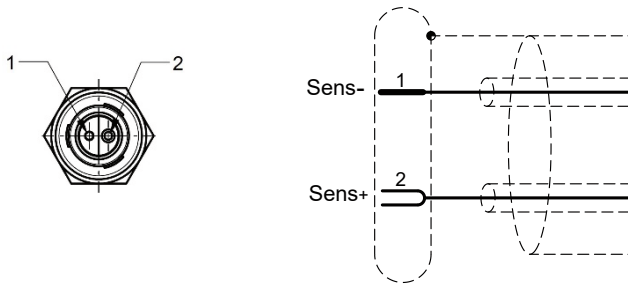


Available Configurations

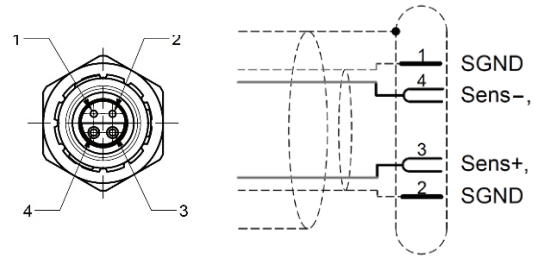


1652_003-668e-05.24

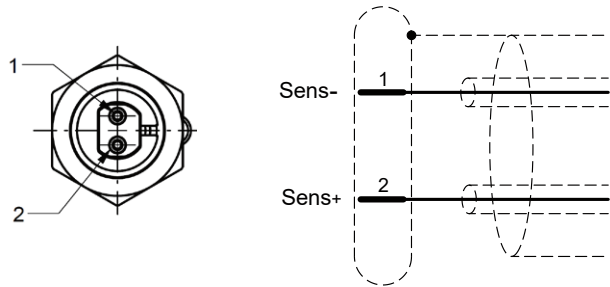
Electric A2



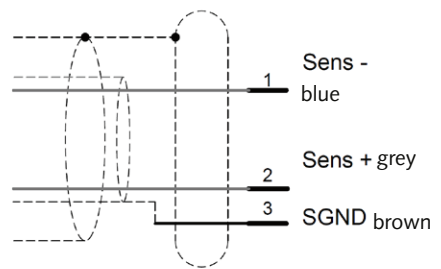
Electric A4



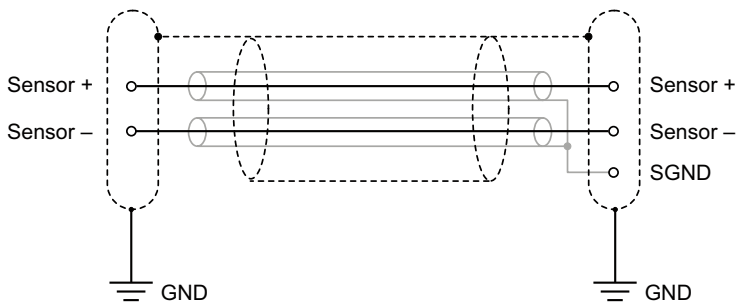
Electric C2



Electric A3

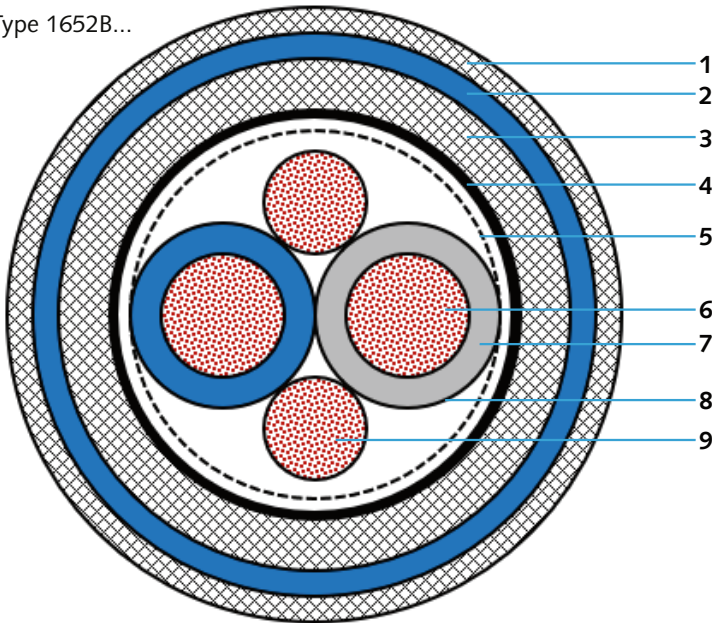


Electric Two-wire



Cable structure

Type 1652B...



- 1- Metal mesh
- 2- Cable jacket
- 3- Mesh
- 4- Banding
- 5- Stranding
- 6- Conductor
- 7- Isolation
- 8- Dispersion low noise
- 9- Filler

Technical Data

Environmental

Operating temperature range	°C	Temperature ranges for the connectors see in upper section "Available Configurations"
-----------------------------	----	---

Physical

Cable construction		Steel overbraid, low noise, twisted pair
Capacity Pin – Shield	pF/m	285
Bending radius (min.)		
fix installation	mm	25
free installation	mm	70

For the installation of the softline cable, it is recommended to consult the relevant sections of the operating instructions for the sensor (Type 602X, 8207, 8209, 8211) and the charge amplifier (Type 518X).

Tightening torque of union nut

Lemo 2pol	Nm	1
Lemo 4pol	Nm	2
7/16-27 UNS	Nm	2

Ordering key

