

## Flange nut, T-bolt

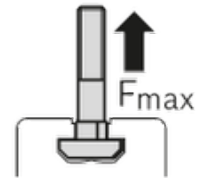


- Secure, conductive connection
- Notch at bolt end as marker for identifying correct position
- Profile finishing: not required

## Technical data

|                          | Material         |
|--------------------------|------------------|
| Flange nut 8 mm slot M6  | Galvanized steel |
| Flange nut 10 mm slot M8 |                  |
| T-bolt M6x16             |                  |
| T-bolt M6x20             |                  |
| T-bolt M6x25             |                  |
| T-bolt M8x20             |                  |
| T-bolt M8x25             |                  |
| T-bolt M8x30             |                  |
| T-bolt M8x40             |                  |
| T-bolt M8x50             |                  |
| T-bolt M8x60             |                  |
| T-bolt M8x45             |                  |

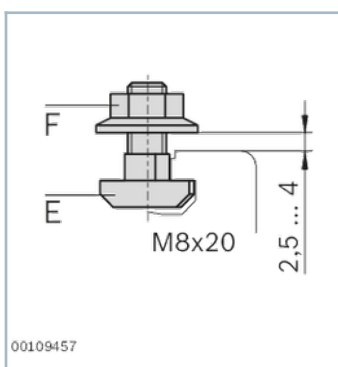
| Nut |                                |
|-----|--------------------------------|
| 8   | 4000 N                         |
| 10  | 6000 ... 18000 N <sup>1)</sup> |



1) Depending on the profile

## Dimensions

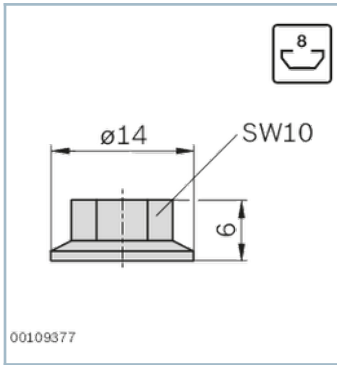
### T-bolt M8x20 and flange nut M8



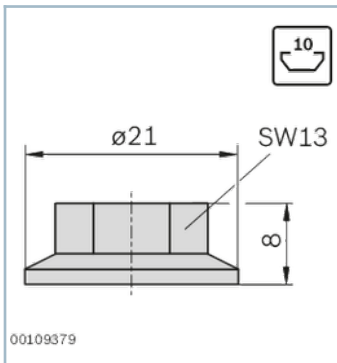
1) E = T-bolt M8x20

2) F = flange nut M8

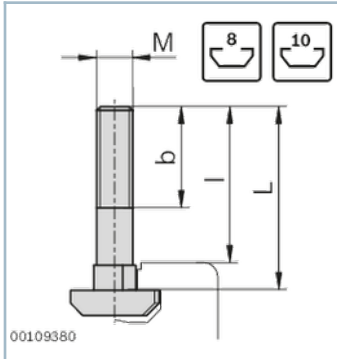
Flange nut 8 mm slot








Flange nut 10 mm slot












T-bolt



Ordering codes

|                          | Groove | M     | b  | l  |  | ESD   | No.        |
|--------------------------|--------|-------|----|----|---|---|------------|
|                          |        |       | mm | mm |   |   |            |
| Flange nut 8 mm slot M6  | 8      | M6    |    |    | 100   |  | 3842523925 |
| Flange nut 10 mm slot M8 | 10     | M8    |    |    | 100   |  | 3842345081 |
| T-bolt M6x16             | 8      | M6x16 | 10 | 14 | 100   |  | 3842523920 |
| T-bolt M6x20             | 8      | M6x20 | 14 | 18 | 100   |  | 3842523921 |

|              | Groove | M     | b  | l  |  | ESD   | No.        |
|--------------|--------|-------|----|----|--|---|------------|
|              |        |       | mm | mm |  |   |            |
| T-bolt M6x25 | 8      | M6x25 | 18 | 23 | 100  |  | 3842523922 |
| T-bolt M8x20 | 10     | M8x20 | 14 | 14 | 100  |  | 3842528715 |
| T-bolt M8x25 | 10     | M8x25 | 19 | 19 | 100  |  | 3842528718 |
| T-bolt M8x30 | 10     | M8x30 | 24 | 24 | 100  |  | 3842528721 |
| T-bolt M8x40 | 10     | M8x40 | 22 | 34 | 100  |  | 3842528724 |
| T-bolt M8x50 | 10     | M8x50 | 22 | 44 | 100  |  | 3842528727 |
| T-bolt M8x60 | 10     | M8x60 | 22 | 54 | 100  |  | 3842528730 |
| T-bolt M8x45 | 10     | M8x45 | 22 | 39 | 100  |  | 3842563312 |