

Mechanical Accessories

ZBM 01

Adapter female thread G1/4 – male thread G1/2 B, DIN EN 837-1

Part No.: 257276

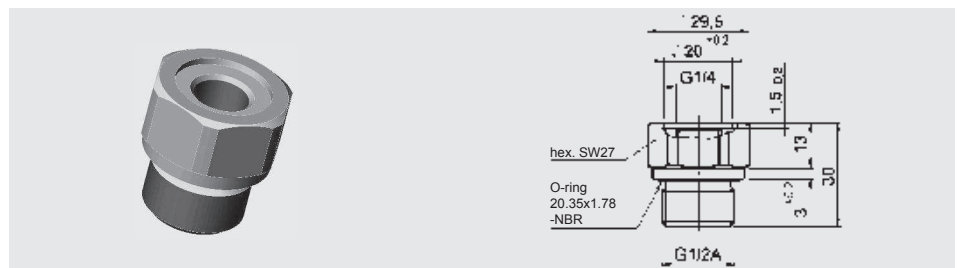
Connection accessories for pressure sensors



ZBM 02

Adapter female thread G1/4 – male thread G1/2 A, DIN 3852

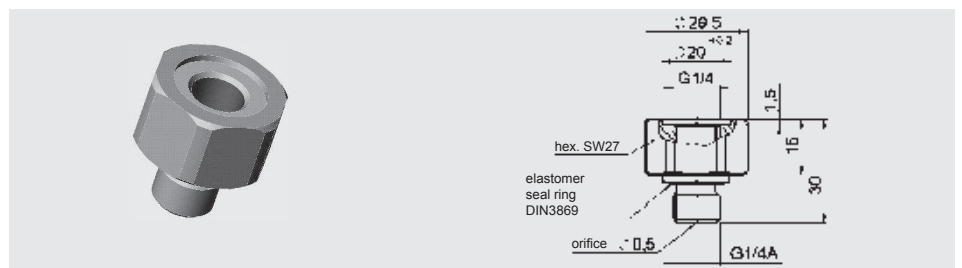
Part No.: 257277



ZBM 13

Adapter female thread G1/4 – male thread G1/4 A, with orifice 0.5 mm

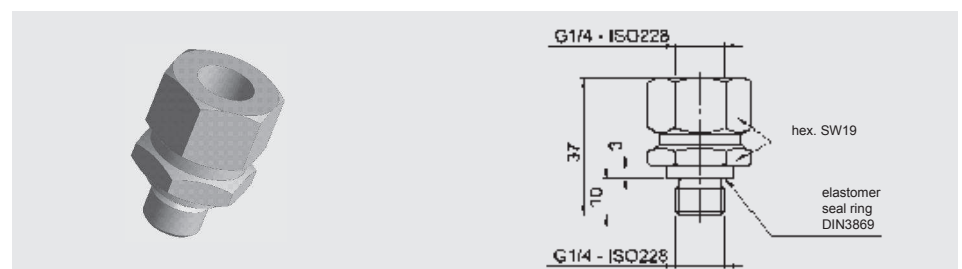
Part No.: 906968



ZBM 14

Adapter female thread G1/4 – male thread G1/4 (rotating)

Part No.: 907818



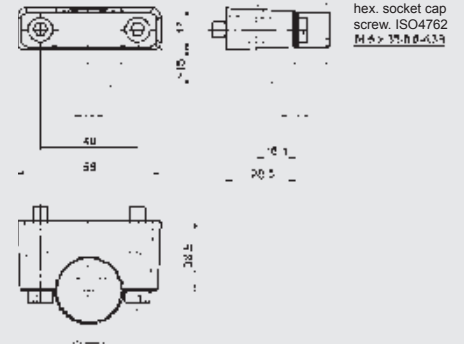
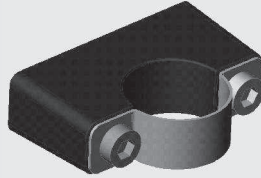
Mounting accessories, device-specific
EDS 3000, ETS 3000, AS 3000, ENS 3000 and HNS 3000

ZBM 3000

Clamp for wall-mounting
 - screw-type fitting -

(Material of lower section:
 TPE Santoprene 10187;
 Material of top section:
 Steel strip DIN 95381-1.4571)

Part No.: 3184630

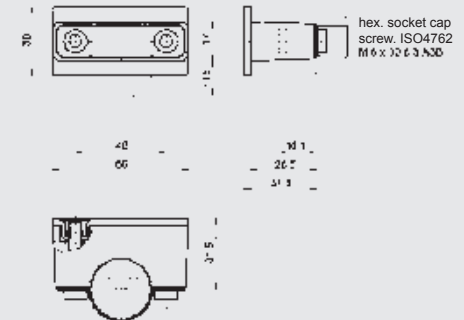
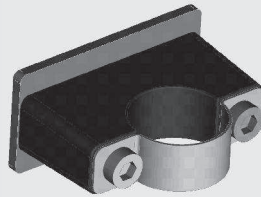


ZBM 3100

Clamp for wall-mounting
 - weld-type fitting -

(Material of welding bridge:
 QSTE340TM, zinc coating
 EN 12329 FE/ZN8/B;
 Material of lower section:
 TPE Santoprene 10187;
 Material of top section:
 Steel strip DIN 95381-1.4571)

Part No.: 3184632

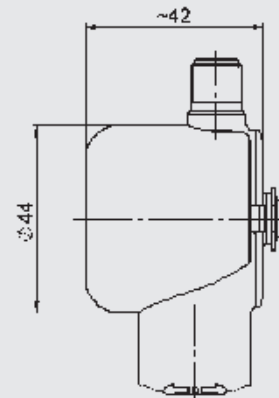


ZBM 3200

Splash guard

(Material:
 Elastollan S60 A15 SPF 000)

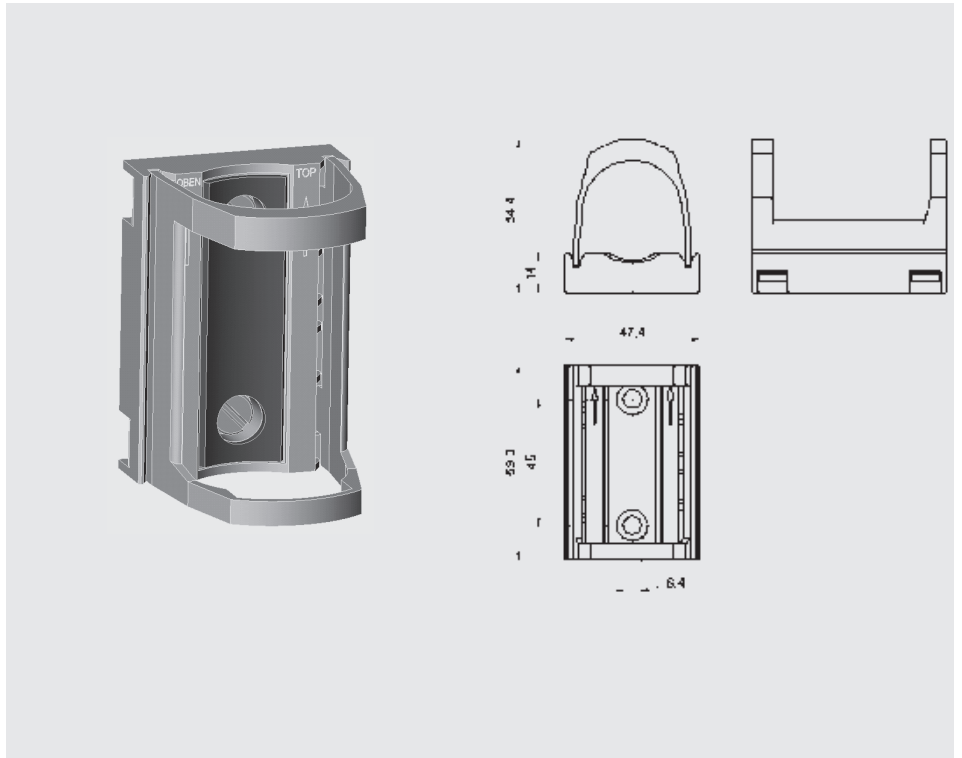
Part No.: 3201919



Mounting accessories, device-specific EDS 300, ETS 300

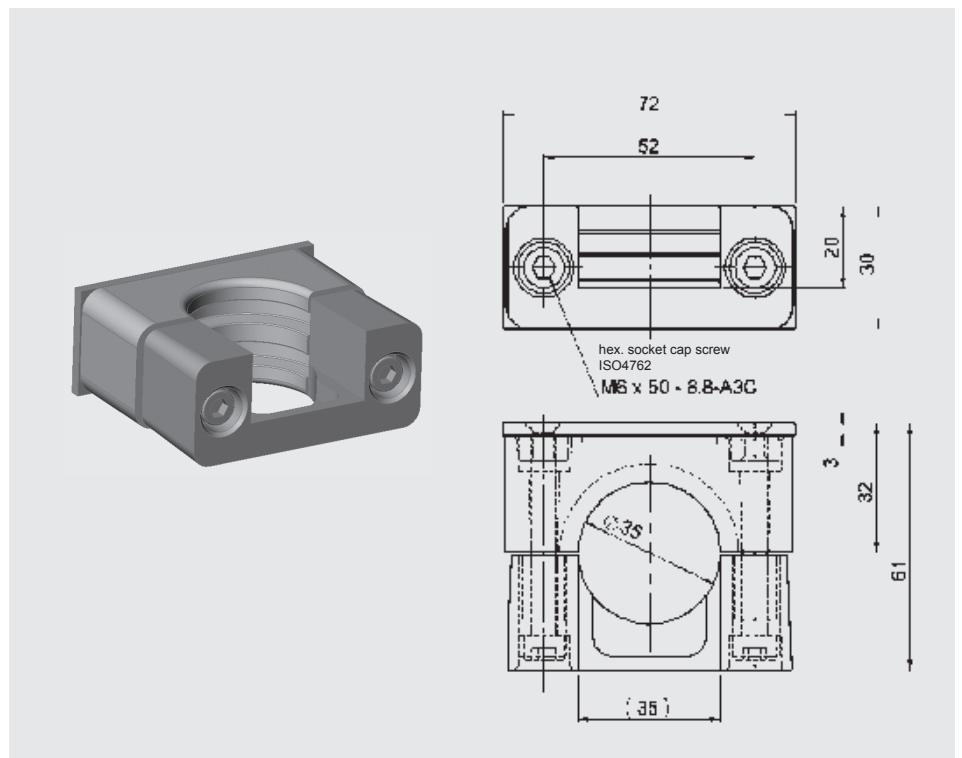
ZBM 300

Clamp for wall-mounting
- screw-type fitting -
(Material polypropylene)
Part No.: 906385



ZBM 310

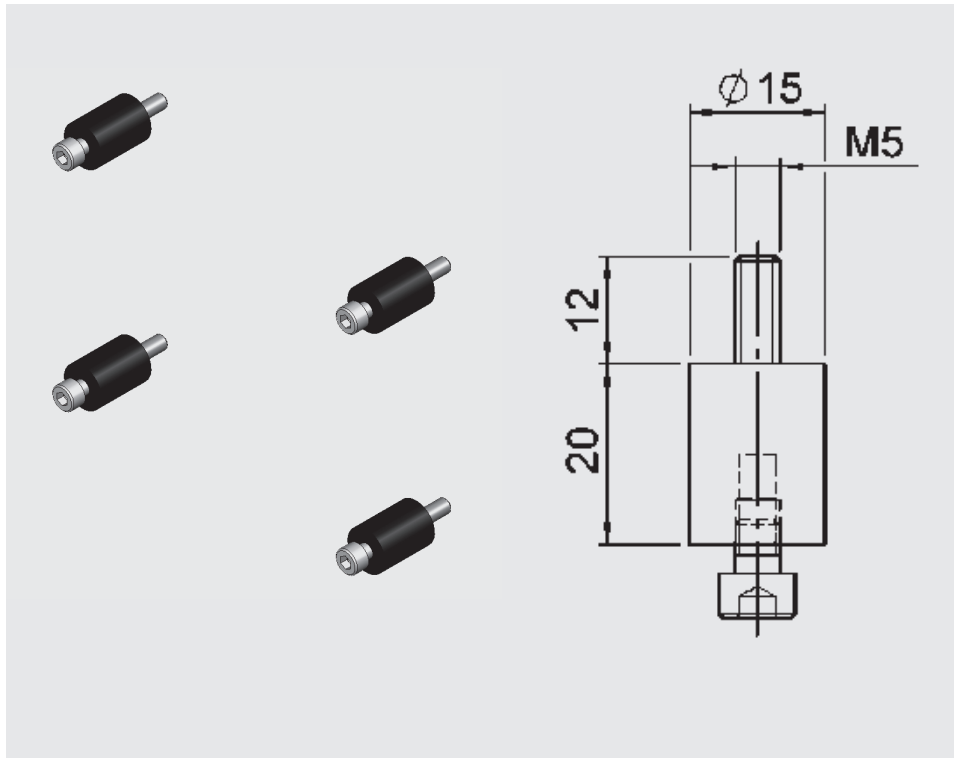
Clamp for wall-mounting
- weld-type fitting -
(Material polypropylene,
aluminium AlSi12, steel)
Part No.: 6011511



Vibration mounts

Part No.: 257492

Mounting accessories, device-specific EDS 1700, ETS 1700

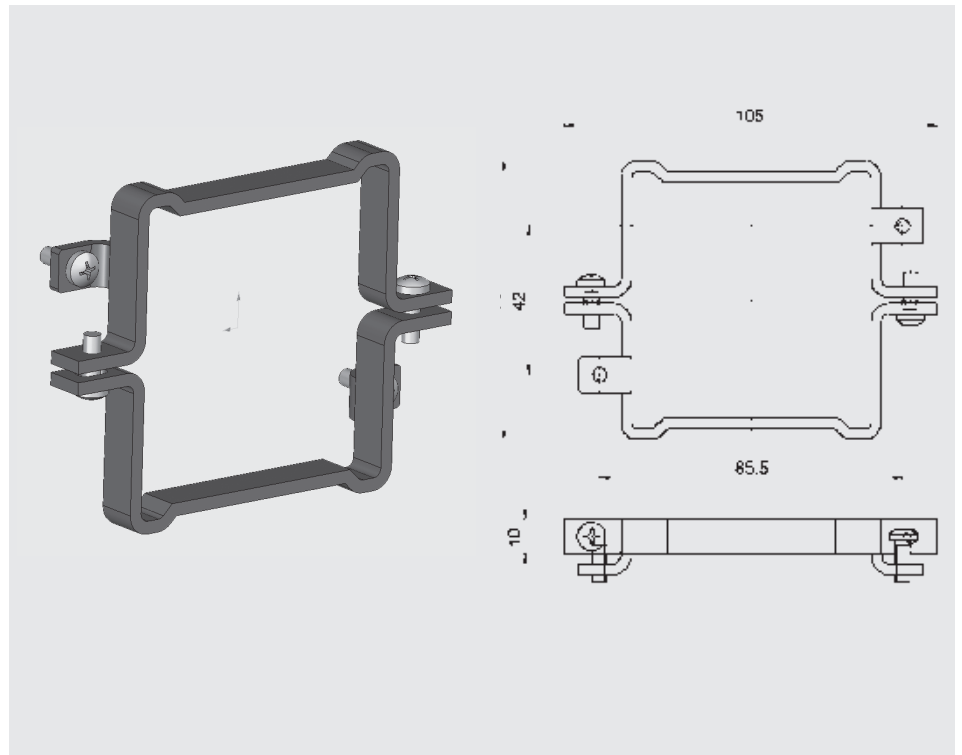


Mounting kit EDS 601

- for front panel mounting-
(St4K32 DIN 1544)

Part No.: 905404

Mounting accessories, device-specific EDS 601

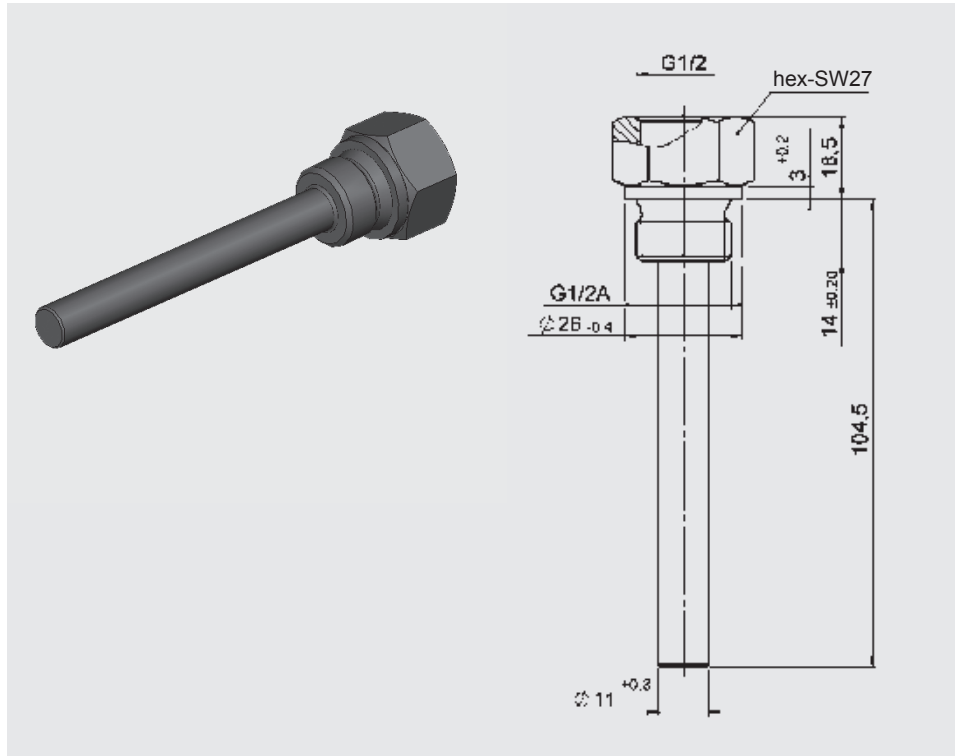


Protective sleeve for tank-mounting

(Material CuZn39Pb3 - DIN 1763, electro-nickel-plated)

Part No.: 909640

Tank mounting sleeve , device-specific ETS 3000 (100 mm)



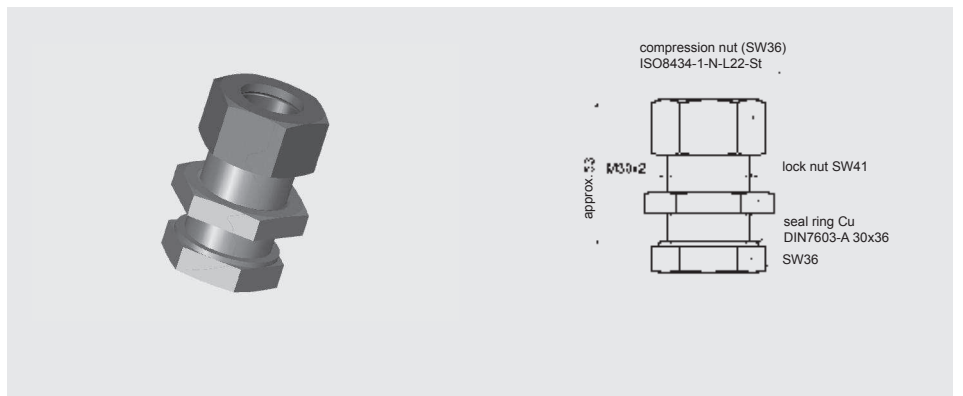
ZBM 19

Straight bulkhead union ISO 8434

Part No.: 908738

Note: Not suitable for ENS with 250 mm probe length

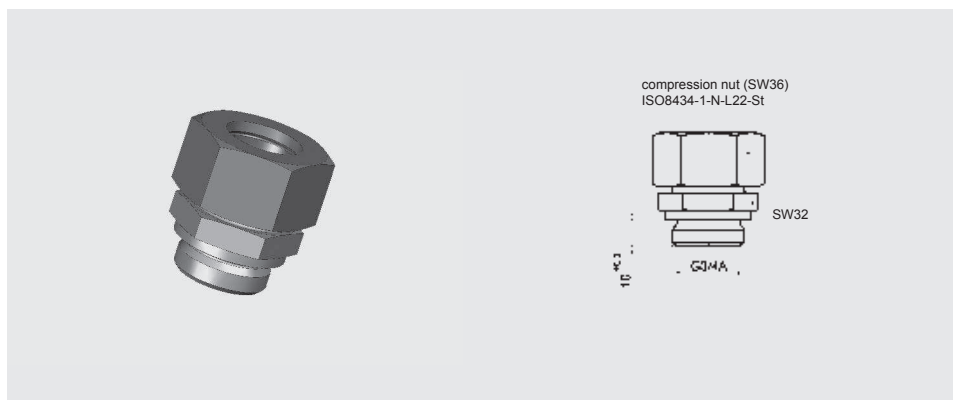
Connection accessories, device-specific ENS 3000



ZBM 20

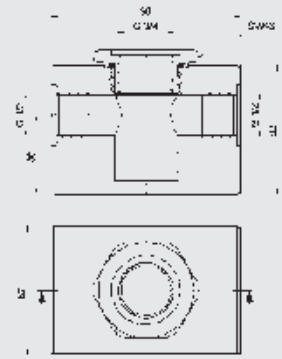
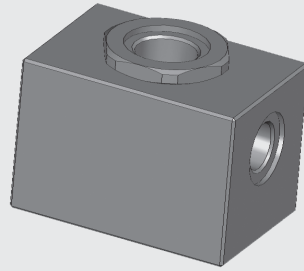
Straight male stud coupling to ISO 8434

Part No.: 908739



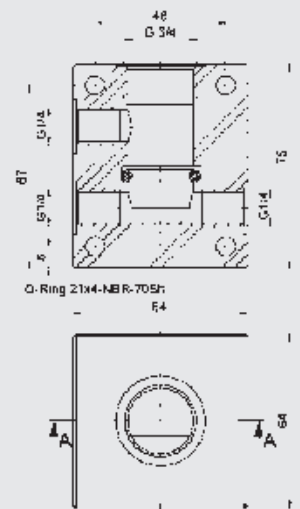
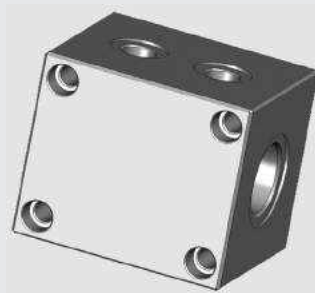
ZBM 21 (Flow)

Mounting block for HLB 1300
for flow rates > 2 l/min
Part No.: 3244260



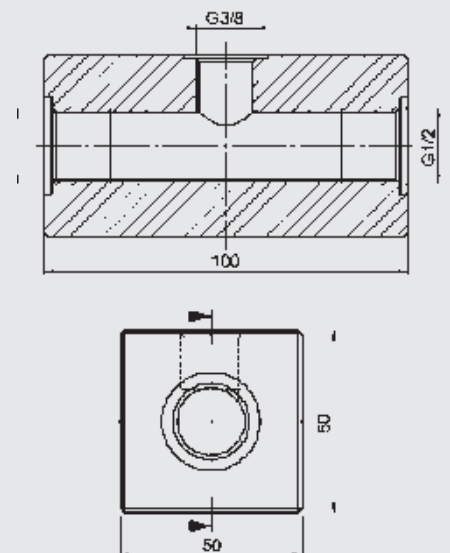
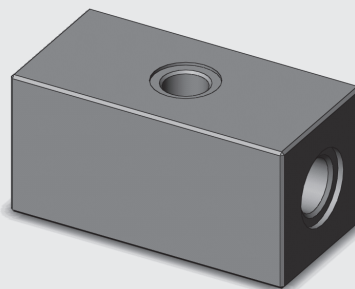
ZBM 23 (Low Flow)

Mounting block for HLB 1300
for flow rates from 0.5 .. 10 l/min
Part No.: 3299331



ZBM 22

Mounting block for AquaSensor
AS 1000 and AS 3000
Part No.: 3248511



Mounting block, device-specific HLB 1300

Connection accessories, device-specific AS 1000, AS 3000

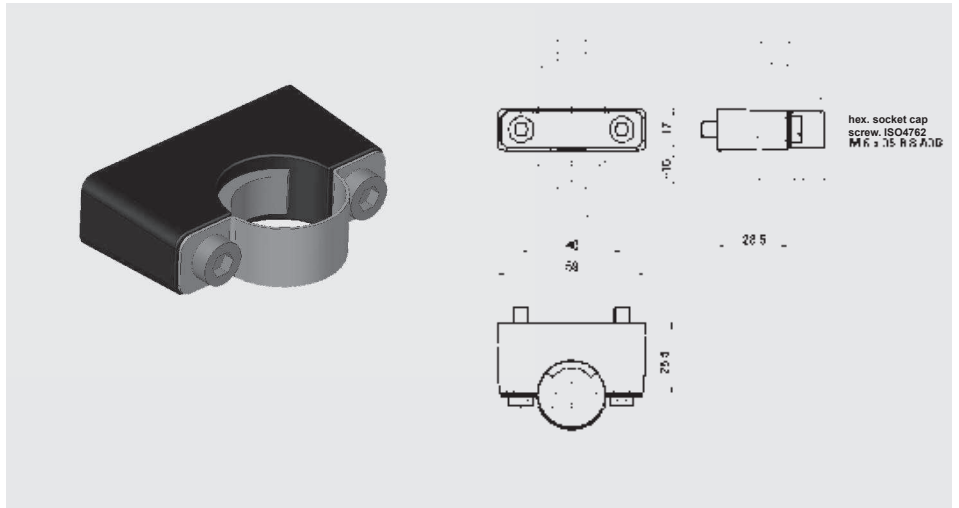
**Mounting accessories, device-specific
EDS 8000, HDA 8000; EDS 810**

ZBM 8000

Clamp for wall-mounting
- screw-type fitting -

(Material of lower section:
TPE Santoprene 10187;
Material of top section:
Steel strip DIN 95381-1.4571)

Part No.: 3546755

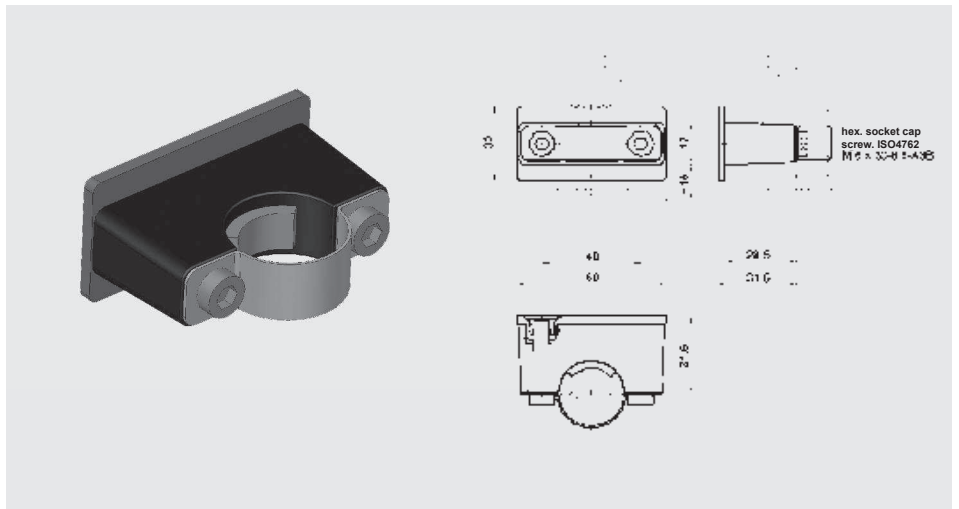


ZBM 8100

Clamp for wall-mounting
- weld-type fitting -

(Material of welding bridge:
QSTE340TM, zinc coating
EN 12329 FE/ZN8/B;
Material of lower section:
TPE Santoprene 10187;
Material of top section:
Steel strip DIN 95381-1.4571)

Part No.: 3546757



Единый адрес для всех регионов: hcd@nt-rt.ru || www.hydac.nt-rt.ru