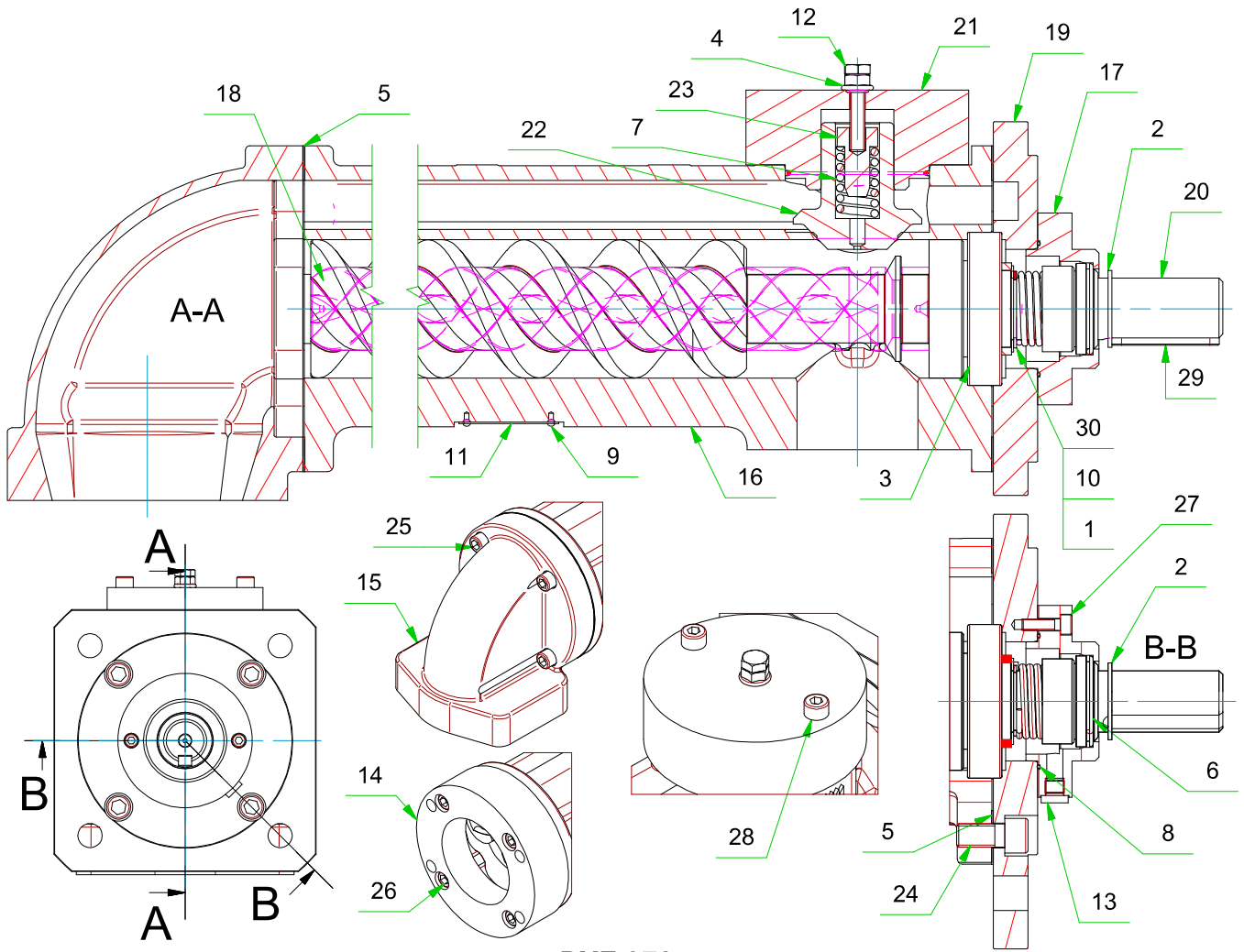


12 SECTIONAL DRAWING – PXF 072



PXF 072

N	DESCRIZIONE	N	DESCRIZIONE
1	Spacer ring	16	Pump body
2	Stopper ring	17	Inspection flange
3	Radial ball bearing *	18	Idler screw
4	Nut	19	Motor connection flange
5	Flat gasket *	20	Driving spindle
6	Mechanical seal *	21	Valve body
7	Spring	22	Shutter
8	O-ring *	23	Adjusting pin
9	Rivet	24	Screw
10	Spacer ring	25	Screw
11	Nameplate	26	Screw
12	Screw	27	Screw
13	Plug	28	Screw
14	Axial suction flange	29	Key
15	Radial suction flange	30	Retainer circlip

(*) Spare parts kit