

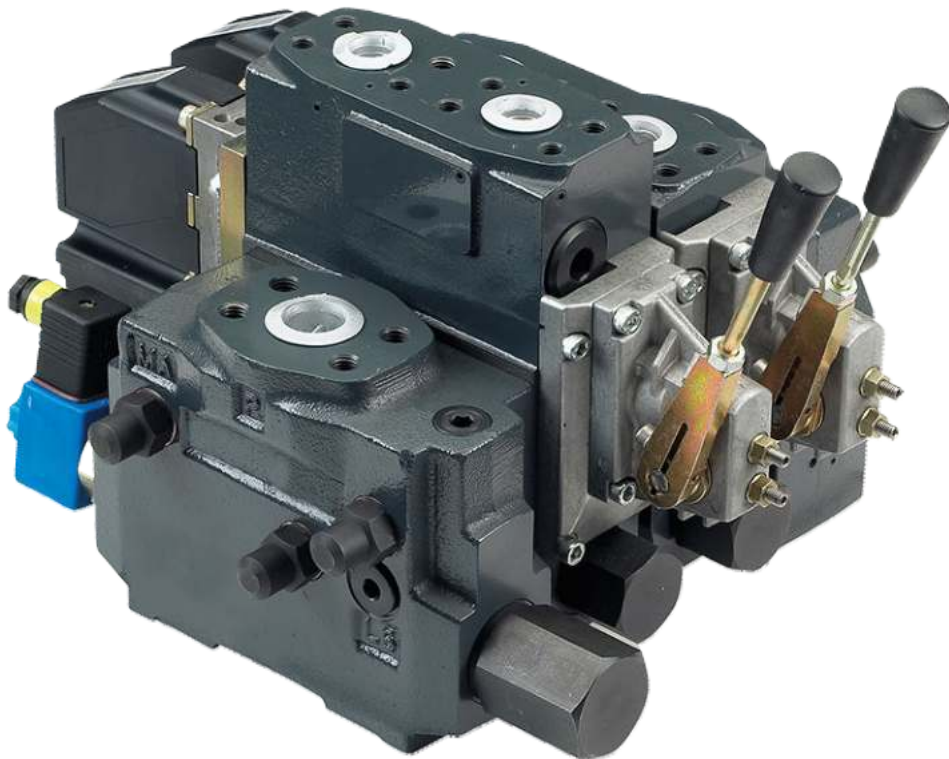
ENGINEERING  
TOMORROW

*Danfoss*

Technical Information

# Proportional Valve Group

## PVG 120



**Revision history**

*Table of revisions*

<b>Date</b>	<b>Changed</b>	<b>Rev</b>
March 2017	minor updates	1002
Mar 2014	Chapters re-order, Modules selection chart	JA
Dec 2013	Converted to Danfoss layout – DITA CMS	ID
2006 - 2012	Various updates	AB - IC
Apr 2006	New edition	AA

## Contents

### Literature reference for PVG products

#### General Information

Valve System.....	6
General Characteristics.....	6
Pump Side Module – PVP.....	6
Basic Module – PVB.....	7
Actuation Modules.....	7
Electronic Accessories.....	7
Remote Controls Units.....	8

#### Function

PVG 120 with PVP Open Center.....	9
PVG 120 with PVP Closed Center.....	9

#### PVG 120 sectional view

#### Safety in application

Control system example.....	12
Examples of wiring block diagram.....	14

#### Technical Data

PVG 120 technical data.....	16
PVM, mechanical actuation.....	16
PVH, hydraulic actuation.....	17
PVE, electrical actuation .....	17
PVPE, electrical relief valve, normally open.....	17

#### Electrical Actuation

PVEO, ON-OFF.....	19
PVEH, proportional high.....	19
PVEH, Inductive Transducer (LVDT – Linear Variable Differential Transformer).....	20
PVEH, Pulse Width Modulation (Integrated).....	21
PVEH fault monitoring.....	21
PVEH, connection to fault monitoring output.....	22

#### Technical Characteristics

General.....	23
PVP, pump side module.....	23
PVB, Basic Module.....	24
PVLP, Shock Valve Characteristic (with Pressure Relief Valve).....	26
PVLP/PVLA, Suction Function.....	27

#### Hydraulic system examples

Example of PVG 120 with variable displacement pump.....	28
Example of PVG 120 with fixed displacement pump.....	29

#### Other operating conditions

Hydraulic fluids for PVG.....	30
Particle Content, Degree of Contamination.....	30
Filtering.....	30
Conversion Factors.....	31

#### Dimensions

PVG 120 dimensions.....	32
PVM, Lever Positions.....	34

#### Modules and Code Numbers

PVP and PVPV, Pump Side Modules .....	35
PVP, Accessories for Open Center Pump Side Modules.....	35
PVB, Basic Modules.....	36
PVB, Accessories for Basic Modules .....	36
PVLA, Suction Valve.....	37
PVLP, Shock and Suction Valves for A/B Port Connections.....	37

**Contents**

PVBS, Main Spools.....	38
PVM, Mechanical Actuation.....	38
PVMD, Cover for Mechanical Actuation.....	38
PVH, Hydraulic Actuation.....	38
PVHC, High Current Actuator.....	39
PVE, Electrical Actuation.....	39
PVT, tank side module.....	39
PVAS, Assembly Kit.....	40

**PVG 120 Modules Selection Chart**

PVG 120 module selection chart.....	41
-------------------------------------	----

**Order specification**

Ordering of modules for oil flow exceeding 180 l/min [47.6 US gal/min].....	45
Order Form.....	45
Reordering.....	46

**Literature reference for PVG products**

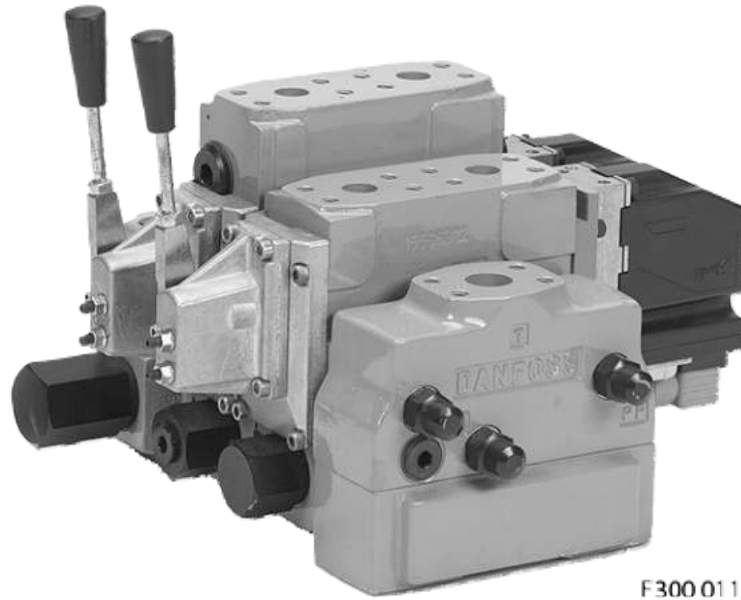
*Literature reference*

<b>Literature title</b>	<b>Type</b>	<b>Order number</b>
PVG 32 Proportional Valve Group	Technical Information	520L0344
PVG 100 Proportional Valve Group	Technical Information	520L0720
PVG 120 Proportional Valve Group	Technical Information	520L0356
PVG 32 Metric ports	Technical Information	11051935
PVE Series 4	Technical Information	520L0553
PVED-CC Electro-hydraulic actuator	Technical Information	520L0665
PVED-CX Electro-hydraulic actuator	Technical Information	11070179
PVE-CI	Technical Information	L1505234
Basic module for PVBZ	Technical Information	520L0721
PVSK module with integrated diverter valve and P-disconnect function	Technical Information	520L0556
PVPV / PVPM pump side module	Technical Information	520L0222
Combination module PVGI	Technical Information	520L0405
PVSP/M Priority module	Technical Information	520L0291
Hitch Control	System Description	11036124
	User Manual	11033753
PVBZ	Data Sheet	520L0681
PVBZ-HS	Data Sheet	520L0956
PVBZ-HD	Data Sheet	11035599
MC024-010 and MC024-012 Controllers	Data Sheet	520L0712

## General Information

### Valve System

Load sensing proportional valve type PVG 120 is a combined directional and flow control valve which is supplied as a valve group consisting of modules specified to match particular customer needs. The flexible nature of this valve will allow an existing valve bank to be easily adapted to suit changes in requirements.



### General Characteristics

- Load-independent flow control:
  - Oil flow to an individual function is independent of the load of this function
  - Oil flow to one function is independent of the load pressure of other functions
- Good regulation characteristics
- Central pilot supply built in when the valves are actuated electrohydraulically
- Energy-saving
- Up to eight basic modules per valve group

### Pump Side Module – PVP

- Built-in pressure relief valve
- System pressure up to 400 bar [5800 psi]
- Pressure gauge connection
- Versions:
  - Open centre version for systems with fixed displacement pumps
  - Open centre version prepared for an extra relief module
  - Closed centre version for systems with variable displacement pumps
  - Closed centre version without system pressure relief valve for variable displacement pumps with built-in pressure relief valve.

## General Information

### Basic Module – PVB

- Integrated pressure compensator in channel P
- Interchangeable spools
- Depending on requirements the basic module can be supplied with:
  - Shock/suction valves
  - Adjustable LS pressure limiting valve for ports A and B
  - LS connection
  - Module for oil flows exceeding 180 l/min [47.6 US gal/min]
  - Different spool variants

### Actuation Modules

The basic module is always fitted with mechanical actuation PVM, which can be combined with the following as required:

- Electrical actuation:
  - PVEH - proportional, high performance (11 - 32 V)
  - PVEO - On/off (12 V == or 24 V ==)
- Cover for hydraulic remote control, PVH
- Cover for mechanically actuated valve group, PVMD

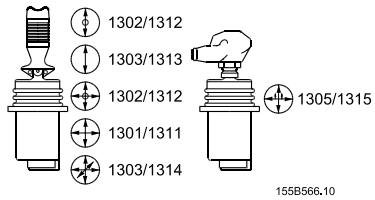
### Electronic Accessories

- EHF, low adjustment unit
- EHR, ramp generator
- EHS, speed control
- EHSC, closed loop speed control
- EHA, alarm logic
- EHC, closed loop position control

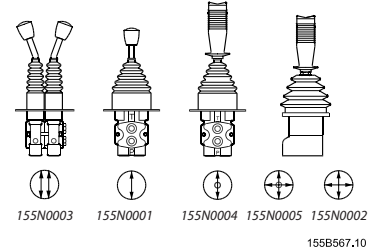
**General Information**

**Remote Controls Units**

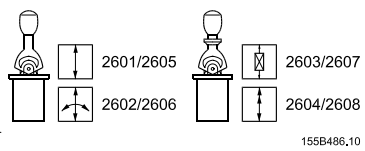
PVRE, electrical control unit, 162F...



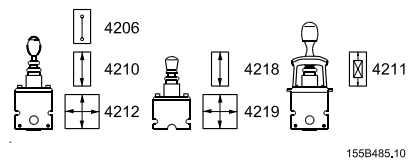
PVRH, hydraulic control unit, 155N...



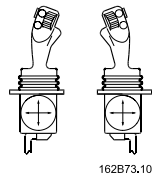
PVREL, electrical control unit, 155U...



PVRES, electrical control unit, 155B...



Prof 1, 162F...





## Function

### **PVG 120 with PVP Open Center**

When the pump is started and the main spools (1) in the individual basic modules are in neutral position, oil flows from the pump, through connection P, across the pressure adjustment spool (2) to tank.

The oil flow led across the pressure adjustment spool determines the pump pressure (stand-by pressure). If a reduced stand-by pressure is required, an extra relief valve PVPH or PVPE can be used in PVP.

When the main spools are actuated the highest load pressure is distributed across the shuttle valve circuit (3) to the spring chamber behind the pressure adjustment spool (2) and completely or partly closes the connection to tank.

The pump pressure is applied to the right-hand side of the pressure adjustment spool (2). The pressure relief valve (4) opens when the load pressure exceeds the set value, allowing pump flow to be diverted back to tank.

In the basic module the compensator (5) maintains a constant pressure drop across the main spool – both when the load changes and when a module with a higher load pressure is activated.

Shock and suction valves with a fixed setting (7) and the suction valves (8) on ports A and B are used to protect individual working functions against overload.

In the basic module it is possible to build in an adjustable LS pressure relief valve (6) to limit the pressure from each working function.

*The LS pressure limiting valve saves energy:*

- Without LS pressure limiting valve all the oil flow to the working function will be led across the combined shock and suction valves to tank if the pressure exceeds the fixed setting of the valves.
- With LS pressure limiting valve an oil flow of only about 2 l/min [0.5 US gal/min] will be led across the LS pressure limiting valve to tank if the pressure exceeds the valve setting.

### **PVG 120 with PVP Closed Center**

In the closed center version an orifice (9) has been fitted instead of the plug. This means that the pressure adjustment spool (2) will only open to tank when the pressure in channel P exceeds the pressure relief valve setting (4).

In load sensing systems the load pressure is led to the pump regulator via the LS connection (10), so the orifices (11) have been removed, and a plug (12) has been fitted instead of one of the orifices.

In neutral position the pump regulator will set the displacement so that leakage in the system is just compensated for.

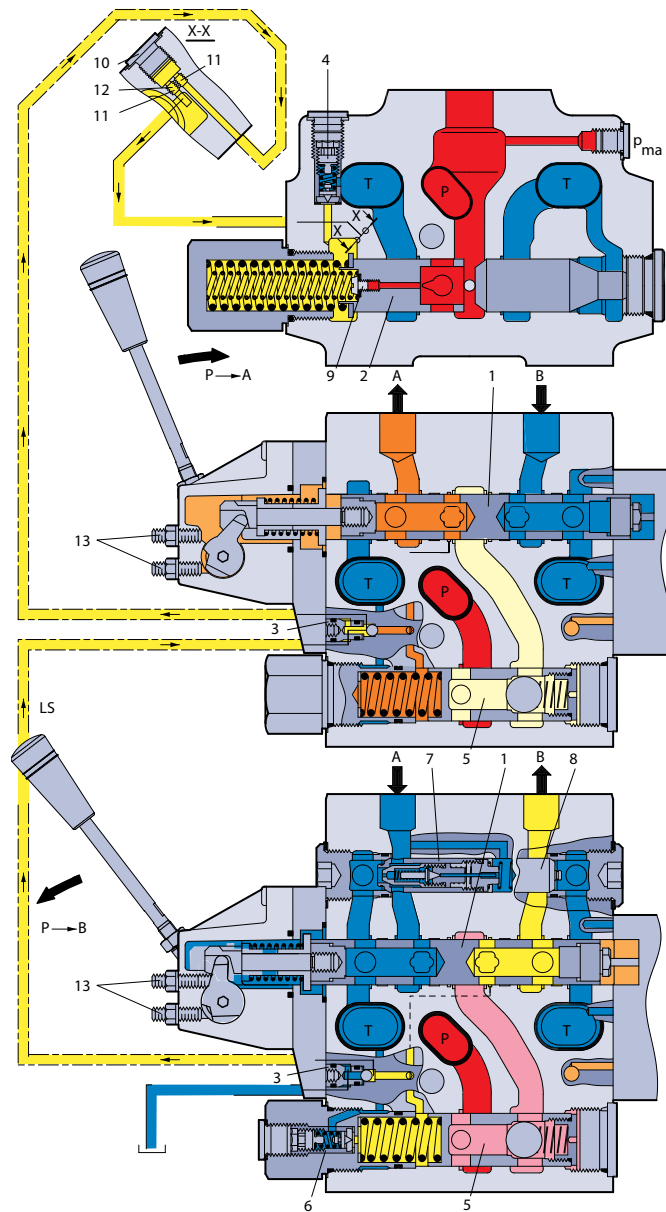
When a main spool is activated, the pump regulator will adjust the displacement so that the set differential pressure between P and LS is maintained.

The pressure relief valve (4) in PVP is set for a pressure of about 30 bar [435 psi] above maximum system pressure (set at the pump or an external pressure relief valve).

If the system or the pump regulation has a pressure relief valve, it is possible to use a PVPV pump side module, without integrated pressure adjustment spool and pressure relief valve.

**PVG 120 sectional view**

*PVG 120 sectional view*



V310100.A

Legend:

- |                                      |   |
|--------------------------------------|---|
| 1 – Main spool                       | 7 – Shock and suction valve PVL P                     |
| 2 – Pressure adjustment spool in PVP | 8 – Suction valve PVLA                                |
| 3 – Shuttle valve                    | 9 – Orifice, closed center PVP; Plug, open center PVP |
| 4 – Pressure relief valve in PVP     | 10 – LS connection                                    |
| 5 – Pressure compensator in PVB      | 11 – Orifice, open center PVP                         |
| 6 – LS pressure relief valve in PVB  | 12 – Plug, closed center PVP                          |

## Safety in application

All types of control valves (incl. proportional valves) can fail, thus the necessary protection against the serious consequences of function failure should always be built into the system. For each application an assessment should be made for the consequences of pressure failure and uncontrolled or blocked movements. To determine the degree of protection that is required to be built into the application, system tools such as an FMEA (Failure Mode and Effect Analysis) and Hazard and Risk Analysis can be used.

### **FMEA – IEC EN 61508**

FMEA (Failure Mode and Effect Analysis) is a tool used for analyzing potential risks. This analytical technique is utilized to define, identify, and prioritize the elimination or reduction of known and/or potential failures from a given system before it is released for production. Please refer to the standard IEC FMEA 61508.

### **Hazard and risk analysis ISO 12100-1/14121**

This analysis is a tool used in new applications as it will indicate whether there are special safety considerations to be met according to the machine directives EN 13849. Dependent on the determined levels conformity this analysis will determine if any extra requirements for the product design, development process, production process or maintenance, example the complete product life cycle.

### **Warning**

---

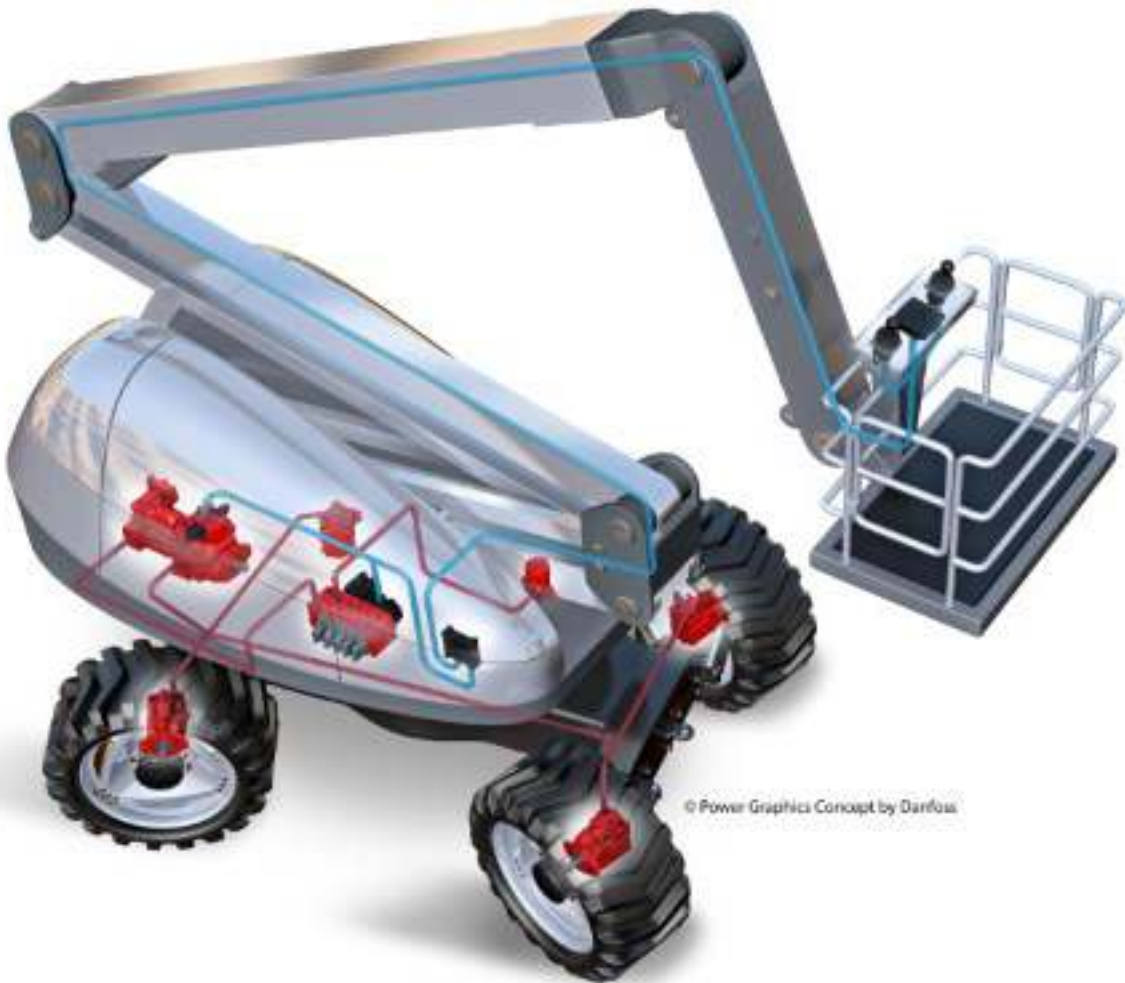
All brands and all types of directional control or proportional valves, which are used in many different operation conditions and applications, can fail and cause serious damage. Analyze all aspects of the application. The machine builder/system integrator alone is responsible for making the final selection of the products and assuring that all performance, safety and warning requirements of the application are met. The process of choosing the control system and safety levels is governed by the machine directives EN 13849 (Safety related requirements for control systems).

---

## Safety in application

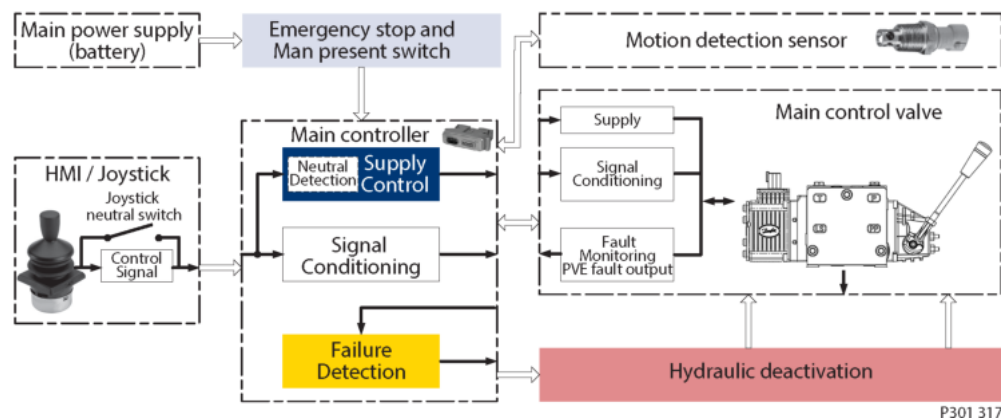
### Control system example

*Example of a control system for manlift using PVE Fault monitoring input signals and signals from external sensors to ensure the PLUS+1® main controllers correct function of the manlift.*



## Safety in application

Electrical block diagram for the above illustration



### Warning

It is the responsibility of the equipment manufacturer that the control system incorporated in the machine is declared as being in conformity with the relevant machine directives.

#### **PVG 32 – mainly used in system with fixed displacement pumps:**

- PVSK, commonly used in crane application - full flow dump
- PVPX, LS dump to tank

#### **PVG 100 – alternative LS dump or pilot supply disconnect:**

- PVPP, pilot oil supply shut off
- External cartridge valve connecting LS pressure or main pressure to tank

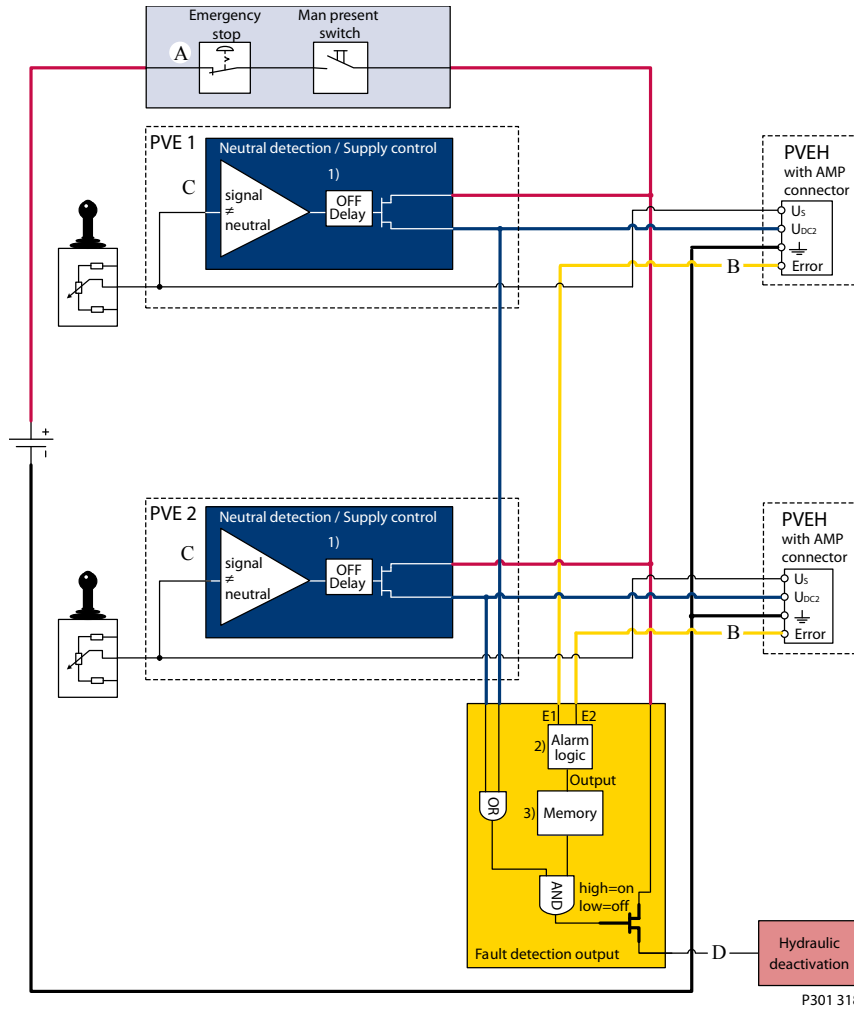
#### **PVG 120 – pump disconnect / block for variable pumps:**

**Safety in application**

- PVPE, full flow dump for the PVG 120
- External cartridge valve connecting LS pressure to tank

**Examples of wiring block diagram**

Example of a typical wiring block diagram using PVEH with neutral power off switch and fault monitoring output for hydraulic deactivation.



**A**– Emergency stop / man present switch

**B**– PVE Fault monitoring signals

**C**– Neutral signal detection.

**D**– Hydraulic deactivation

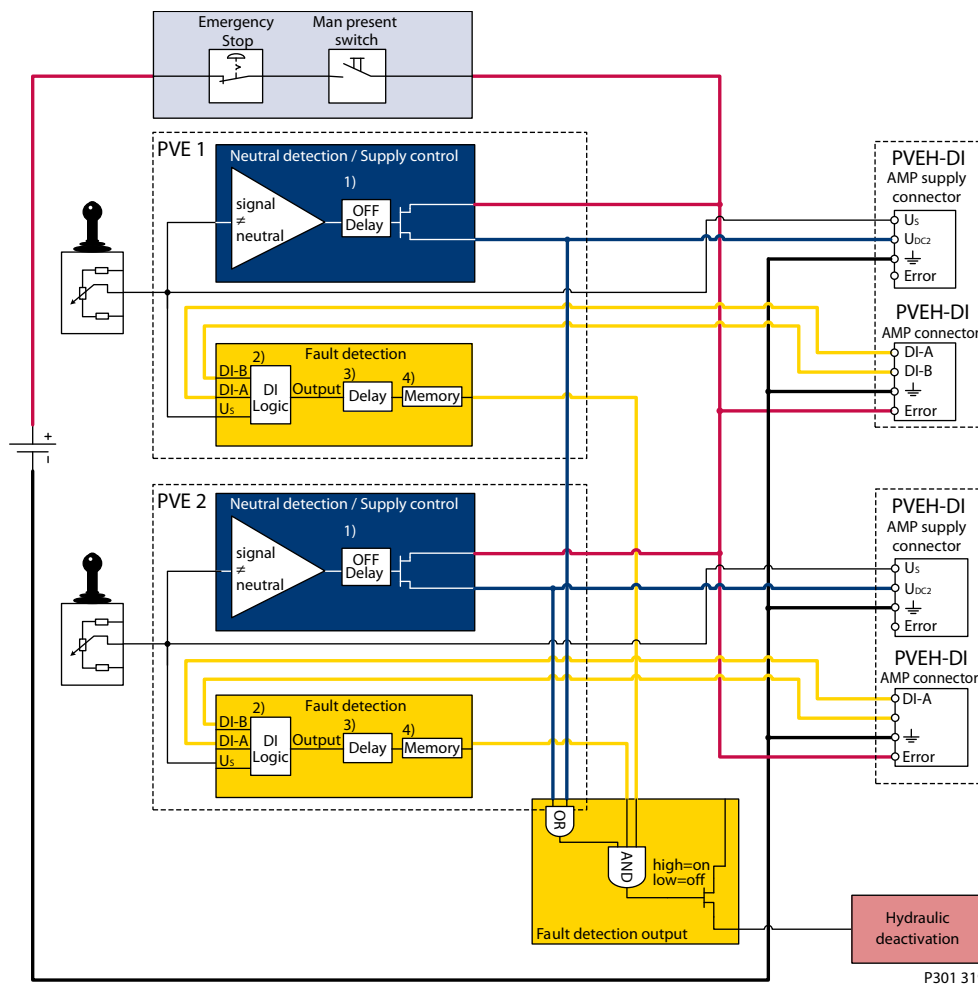
System Control Logic e.g. PLUS+1® for signal monitoring and triggering signal for deactivation of the hydraulic system.

**⚠ Warning**

It is the responsibility of the equipment manufacturer that the control system incorporated in the machine is declared as being in conformity with the relevant machine directives.

**Safety in application**

*Example of fault monitoring for deactivation of the hydraulic system with extra fault inputs using the PVE's with DI (Direction Indication) function.*



System Control Logic e.g. PLUS+1® for signal monitoring and triggering signal for deactivation of the hydraulic system.

**Warning**

It is the responsibility of the equipment manufacturer that the control system incorporated in the machine is declared as being in conformity with the relevant machine directives.

## Technical Data

### PVG 120 technical data

<b>Maximum pressure</b>	<b>Port P</b>	continuous	350 bar	[5075 psi]
		intermittent <sup>1)</sup>	400 bar	[5800 psi]
	<b>Port A/B</b>		400 bar	[5800 psi]
	<b>Port T, static/dynamic</b>		25 bar/40 bar	[365/580 psi]
<b>Oil flow</b> See <a href="#">Oil flow characteristics</a> for more information.	<b>Port P, rated max.</b>		240/300 l/min	[63.4/79.3 US gal/min]
	<b>Port A/B<sup>2)</sup></b>		65/95/130/180/ 210/240 l/min	[17.2/25.1/34.3/47.6/ 55.5/63.4 US gal/min]
<b>Spool travel</b>			± 8 mm	[± 0.32 in]
<b>Dead band (± 25%)</b>			± 2 mm	[± 0.08 in]
<b>Maximum internal leakage at 100 bar, 21 mm<sup>2</sup>/s</b>	<b>A/B → T, without shockvalve</b>		90 cm <sup>3</sup> /min	[5.5 in <sup>3</sup> /min]
	<b>A/B → T, with shockvalve</b>		95 cm <sup>3</sup> /min	[5.6 in <sup>3</sup> /min]
<b>Oil temperature (inlet temperature)</b>	<b>Recommended temperature</b>		30 to 60°C	[86 to 140°F]
	<b>Min. temperature</b>		-30°C	[-22°F]
	<b>Max. temperature</b>		+90°C	[+194°F]
<b>Ambient temperature</b>			-30 to +60°C	[-22 to +140°F]
<b>Oil viscosity</b>	<b>Operating range</b>		12 to 75 mm <sup>2</sup> /s	[65 SUS to 347 SUS]
	<b>Min. viscosity</b>		4 mm <sup>2</sup> /s	[39 SUS]
	<b>Max. viscosity</b>		460 mm <sup>2</sup> /s	[2128 SUS]
<b>Filtering / Max. contamination (ISO 4406)</b> See <a href="#">Filtering</a> for more information.			23/19/16	
<b>Oil consumption in pressure reduction valve for PVT at PVE pilot-oil supply</b>			0.4 l/min	[0.1 US gal/min]

<sup>1)</sup> Intermittent operation: the permissible values may occur for max. 10% of every minute.

<sup>2)</sup> See [Order Form](#) for more information regarding the ordering or conversion of valve groups for oil flows exceeding 180 l/min [47.6 US gal/min].

### PVM, mechanical actuation

#### *PVM, Mechanical Actuation*

<b>PVM data</b>		<b>Neutral position</b>	<b>Max. spool travel</b>
Operating force	PVM + PVMD PVM + PVE (without voltage)	2.8 ± 0.2 N·m [24.8 ± 1.8 lbf·in]	4.0 ± 0.2 N·m [35.5 ± 1.8 lbf·in]
	PVM + PVH	4.7 ± 0.2 N·m [41.6 ± 1.8 lbf·in]	12.8 ± 0.2 N·m [113.3 ± 1.8 lbf·in]
Possible control lever positions: 2 × 5			
Regulation range, control lever: ±19,5°			



## Technical Data

### PVH, hydraulic actuation

*PVH, Hydraulic Actuation*

PVH data	Pressure, bar [psi]
Control range	5 to 15 [75 to 220]
Maximum pilot pressure, static	35 [510]
Maximum pressure on port T (It is recommended that the tank connection from the hydraulic remote control unit PVRH is taken directly to tank.)	3 [45]

### PVE, electrical actuation

*PVE, electrical actuation*

PVE actuation		PVEO ON/OFF	PVEH Proportional High
Hysteresis (applies to the electrical actuation only) <sup>1)</sup>	Typical	-	4%
Reaction time from neutral position to max. spool travel	Typical	250 ms	250 ms
	Maximum	350 ms	280 ms
Reaction time from max. spool travel to neutral position <sup>2)</sup>	Typical	240 ms	150 ms
	Maximum	330 ms	200 ms
Pilot oil flow pr. PVE	Neutral position without voltage	0 l/min / [0 US gal/min]	
	Locked with voltage <sup>3)</sup>	0 l/min / [0 US gal/min]	
Enclosure to IEC 529		IP65	

<sup>1)</sup> The hysteresis is stated at rated and  $f = 0,02$  Hz for a cycle. One cycle includes the movement from neutral position to max. spool travel direction A, via neutral position to max. spool travel in direction B, and back to neutral position. Further information can be obtained by contacting the Danfoss Power Solutions Sales Organization.

<sup>2)</sup> Reaction times for PVEH is reduced by 20 by 30 ms if the voltage is not interrupted during the neutral positioning (remote control lever without neutral position switch).

<sup>3)</sup> Total oil consumption for a spool movement from N to full A or B: 0.0035 l [0.0009 US gal].

### PVPE, electrical relief valve, normally open

*PVPE, electrical relief valve, normally open*

<b>Maximum operation pressure</b>		350 bar [5085 psi]
<b>Maximum pressure drop at flow of 0.2 l/min [0.053 US gal/min]</b>		1.2 bar [17 psi]
<b>Oil temperature (inlet temperature)</b>	<b>Recommended temperature</b>	30 to 60 °C [86 to 140 °F]
	<b>Min. temperature</b>	-30 °C [-22 °F]
	<b>Max. temperature</b>	90 °C [194 °F]
<b>Maximum coil surface temperature</b>		155 °C [311 °F]
<b>Ambient temperature</b>		-30 to +60 °C [-22 to +140 °F]

**Technical Data**

*PVPE, electrical relief valve, normally open (continued)*

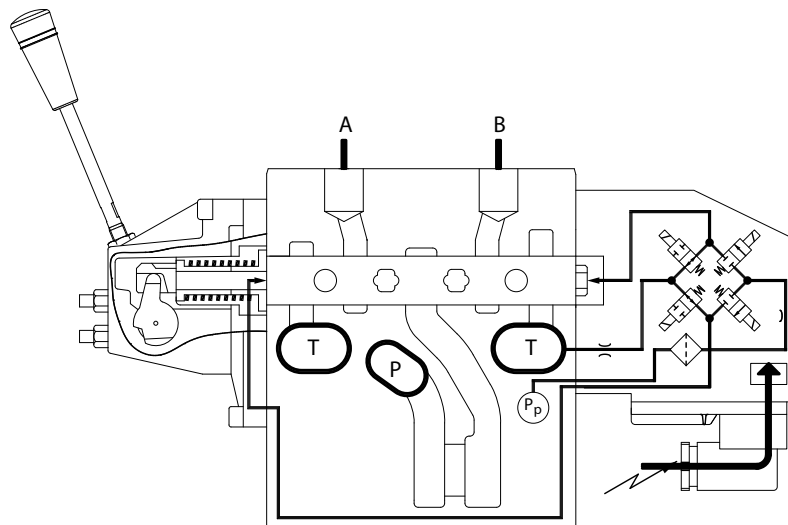
<b>Oil viscosity</b>	<b>Operating range</b>	12 to 75 mm <sup>2</sup> /s [65 to 347 SUS]	
	<b>Min. viscosity</b>	4 mm <sup>2</sup> /s [39 SUS]	
	<b>Max. viscosity</b>	460 mm <sup>2</sup> /s [2128 SUS]	
<b>Response time for pressure relief to tank</b>		600 ms	
<b>Enclosure to IEC 529</b>		IP 65	
<b>Rated voltage</b>		12 V	24 V
<b>Maximum permissible deviation from rated supply voltage</b>		± 10 %	± 10 %
<b>Current consumption at rated voltage</b>	<b>at 22 °C [72 °F] coil temperature</b>	1.55 A	0.78 A
	<b>at 85 °C [230 °F] coil temperature</b>	1.0 A	0.5 A
<b>Power consumption</b>	<b>at 22 °C [72 °F] coil temperature</b>	19 W	19 W
	<b>at 85 °C [230 °F] coil temperature</b>	12 W	12 W

## Electrical Actuation

### PVEO, ON-OFF

The main features of PVEO:

- Compact
- Robust operation
- Hirschmann or AMP connector
- Low electrical power



V310185.A

#### PVEO parameters

<b>Supply voltage <math>U_{DC}</math></b>	<b>rated</b>	12 V <sub>DC</sub>	24 V <sub>DC</sub>
	<b>range</b>	11 V to 15 V	22 V to 30 V
	<b>maximum ripple</b>	5%	
<b>Current consumption at rated voltage</b>		0.65 A @ 12 V	0.33 A @ 24 V
<b>Signal voltage (PVEM)</b>	<b>neutral</b>	0.5 · $U_{DC}$	
	<b>A-port ↔ B-port</b>	0.25 · $U_{DC}$ to 0.75 · $U_{DC}$	
<b>Signal current at rated voltage (PVEM)</b>		0.25 mA	0.50 mA
<b>Input impedance in relation to 0.5 · <math>U_{DC}</math></b>		12 K $\Omega$	
<b>Power consumption</b>		8 W	

### PVEH, proportional high

PVEH adjusts the main spool position so that it corresponds to an electrical control signal – for example from a remote control unit.

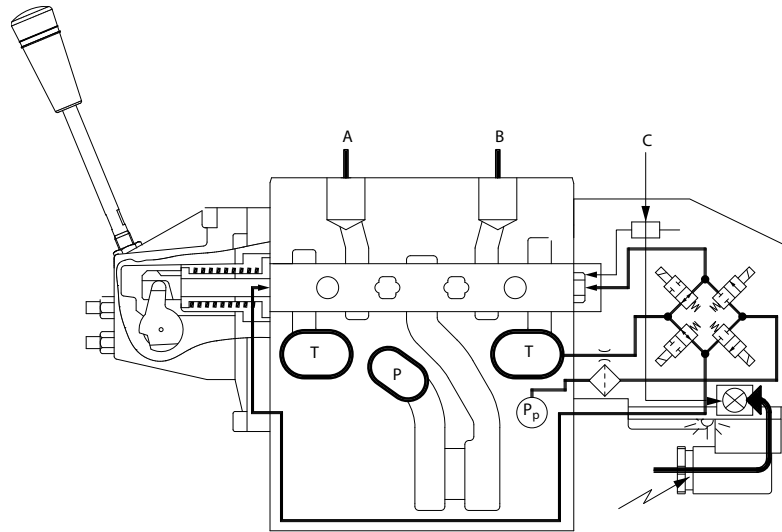
The control signal (set-point signal) is converted into a hydraulic pressure which moves the main spool. The position of the main spool is converted in the positional transducer (C) to an electric signal (feed-back signal). This signal is registered by the electronics.

The variation between the set-point signal and feed-back signal actuates the solenoid valves, thus the hydraulic pressure moves the main spool into the correct position.

## Electrical Actuation

The main features of PVEH:

- Inductive transducer
- Integrated pulse width modulation
- Low hysteresis
- Fast reaction time
- Hirschmann or AMP connector
- Fault monitoring with transistor output for signal source
- Low electrical power
- No set-up procedure



V310099.A

### PVEH parameters

<b>Supply voltage <math>U_{DC}</math></b>	<b>Rated and Range</b>	11 V to 32 V	
	<b>Maximum ripple</b>	5%	
<b>Current consumption at rated voltage</b>		0.57 (0.33) A @ 12 V	0.3 (0.17) A @ 24 V
<b>Signal voltage</b>	<b>Neutral</b>	$0.5 \cdot U_{DC}$	
	<b>A-port ↔ B-port</b>	$0.25 \cdot U_{DC}$ to $0.75 \cdot U_{DC}$	
<b>Signal current at rated voltage</b>		0.25 mA to 0.70 mA	
<b>Input impedance in relation to <math>0.5 \cdot U_{DC}</math></b>		12 k $\Omega$	
<b>Input capacitor</b>		100 nF	
<b>Power consumption</b>		7 (3.5) W	
<b>PVEH</b>	<b>Maximum load</b>	100 mA	60 mA
	<b>Reaction time at fault</b>	Active / Passive	500 ms

### PVEH, Inductive Transducer (LVDT – Linear Variable Differential Transformer)

When the main spool is moved a voltage is induced proportional to the spool position. The use of LVDT gives contact-free (proximity) registration of the main spool position. This means an extra-long working life and no limitation as regards the type of hydraulic fluid used. In addition, LVDT gives a precise position signal of high resolution.

## Electrical Actuation

### PVEH, Pulse Width Modulation (Integrated)

Positioning of the main spool in PVEH is based on the pulse width modulation principle. As soon as the main spool reaches the required position, modulation stops and the spool is locked in position.

## PVEH fault monitoring

A fault monitoring system is provided in all PVEA, PVEH and PVES modules.

The system is available in two versions:

- The active fault monitoring type, which provides a warning signal, deactivates the solenoid valves and drives the spool in neutral.
- The passive fault monitoring type, which provides a warning signal only.

*Both active and passive fault monitoring systems are triggered by three main events:*

- 1. Input signal monitoring** – The input signal voltage is continuously monitored. The permissible range is between 15% and 85% of the supply voltage. Outside this range the section will switch into an active error state.
- 2. Transducer supervision** – If one of the wires to the LVDT sensor is broken or short-circuited, the section will switch into an active error state.
- 3. Supervision of the closed loop** – The actual position must always correspond to the demanded position (input signal). If the actual spool position is further than the demanded spool position (>12%, PVEA: >25%), the system detects an error and will switch into an active error state. On the other hand, a situation where the actual position is closer to neutral than that demanded will not cause an error state. This situation is considered “in control”. When an active error state occurs, the fault monitoring logic will be triggered.

### Active fault monitoring:

- A delay of 500 ms (PVEA: 750 ms) before anything happens.
- The solenoid valve bridge will be disabled and all solenoid valves will be released.
- An alarm signal is sent out through the appropriate pin connection.
- This state is memorized and continues until the system is actively reset (by turning off the supply voltage).

### Passive fault monitoring:

- A delay of 250 ms (PVEA: 750 ms) before anything happens.
- The solenoid valve bridge will not be disabled but still control the main spool position.
- An alarm signal is sent out through the appropriate pin connection.
- This state is not memorized. When the erroneous state disappears, the alarm signal will turn to passive again. However, the signal will always be active for a minimum of 100 ms when triggered.

To prevent the electronics from going into an undefined state, a general supervision of the power supply and the internal clock frequency is made. This function applies to PVEH - and will not activate fault monitoring:

- 1. High supply voltage** – The solenoid valves are disabled when the supply voltage exceeds 36 V, and the main spool will return/stay in neutral.
- 2. Low supply voltage** – The solenoid valves are disabled when the supply voltage falls below 8.5 V, and the main spool will return/stay in neutral.
- 3. Internal clock** – The solenoid valves are disabled when the internal clock frequency fails, and the main spool will return/stay in neutral.

---

The fault monitoring does not work if the supply voltage to PVEH is cut off - for example by a neutral position switch. When using PVEH with passive fault monitoring **it is up to the customer to decide on the degree of safety required for the system** (See *Safety in Application* for more information about different degrees of safety).

---

**Electrical Actuation**

*Fault monitoring specification*

Type	Fault monitoring	Delay before error out	Error mode	Error output status	Fault output on PVE**	LED light	Memory†
PVEO	No fault monitoring						
PVEH	Active	500 ms	No fault	Low	< 2 V	Green	-
			Input signal faults	High	~U <sub>DC</sub>	Flashing red	Yes
			Transducer (LVDT)				
			Close loop fault				
	Passive	250 ms	No fault	Low	< 2 V	Green	-
	Input signal faults		High	~U <sub>DC</sub>	Flashing red	No	
Transducer (LVDT)							
Close loop fault							

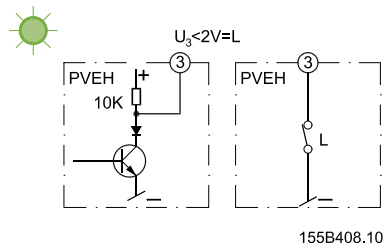
\* Measured between fault output pin and ground.

† Reset needed

**PVEH, connection to fault monitoring output**

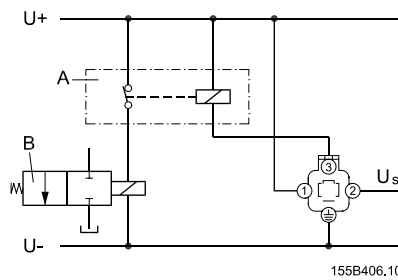
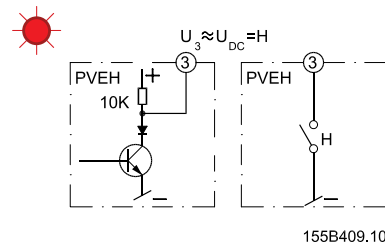
**Normal**

Transistor output function – **Green**

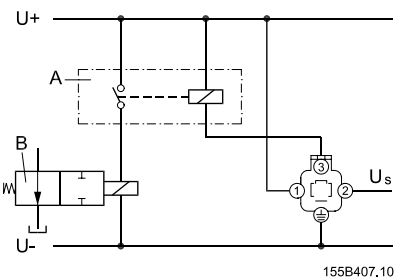


**Fault**

Transistor output function – **Red**



A: External relay, B: Solenoid valve (e.g. PVPE)



A: External relay, B: Solenoid valve (e.g. PVPE)

Via an external relay pin 3 can be connected to an electrically actuated valve which will relieve pump oil flow to tank, e.g. PVPE.

*Other possible connections:*

- a valve to relieve the LS signal
- a signal lamp, an alarm horn
- a pump cut-out, etc.

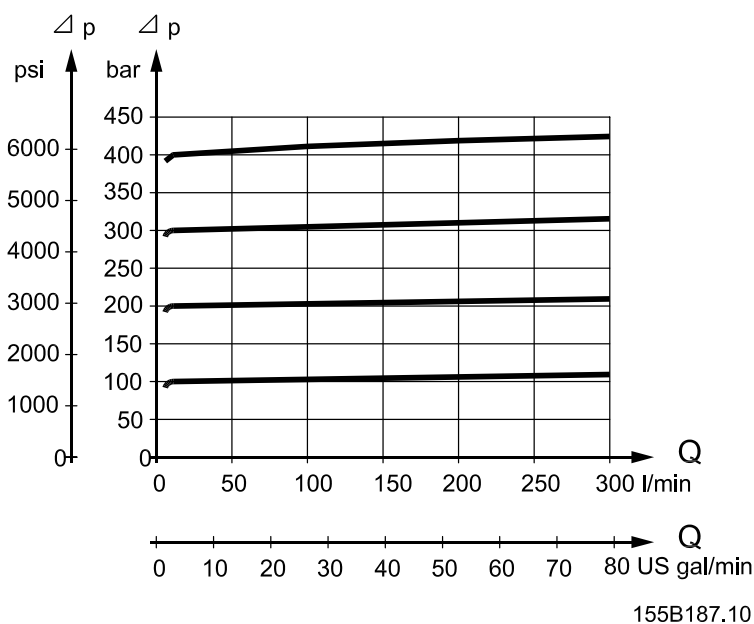
## Technical Characteristics

### General

All characteristics and values in the technical information are typical measured results. For the hydraulic system a mineral based hydraulic oil with a viscosity of 21mm<sup>2</sup>/s [102 SUS] and a temperature of 50°C [122°F] was used.

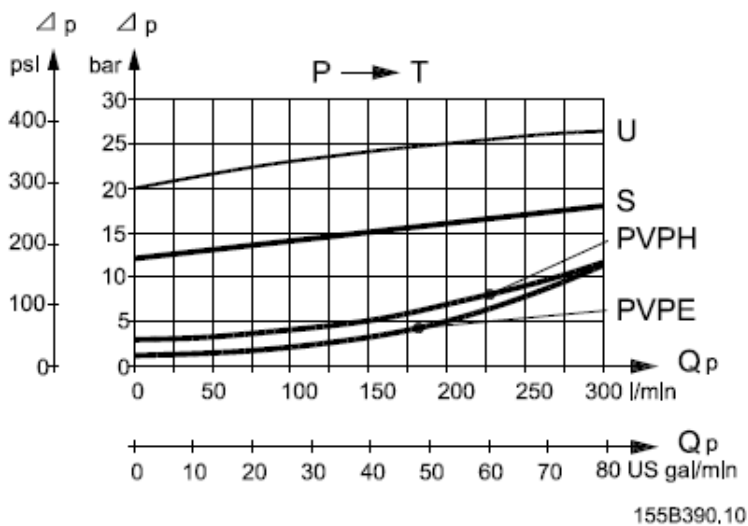
### PVP, pump side module

*PVP, pressure relief valve characteristic*



The pressure relief valve is adjustable within the 50-400 bar [725-6225 psi] range by means of a screw.

*PVP, neutral flow pressure in PVP, open center*



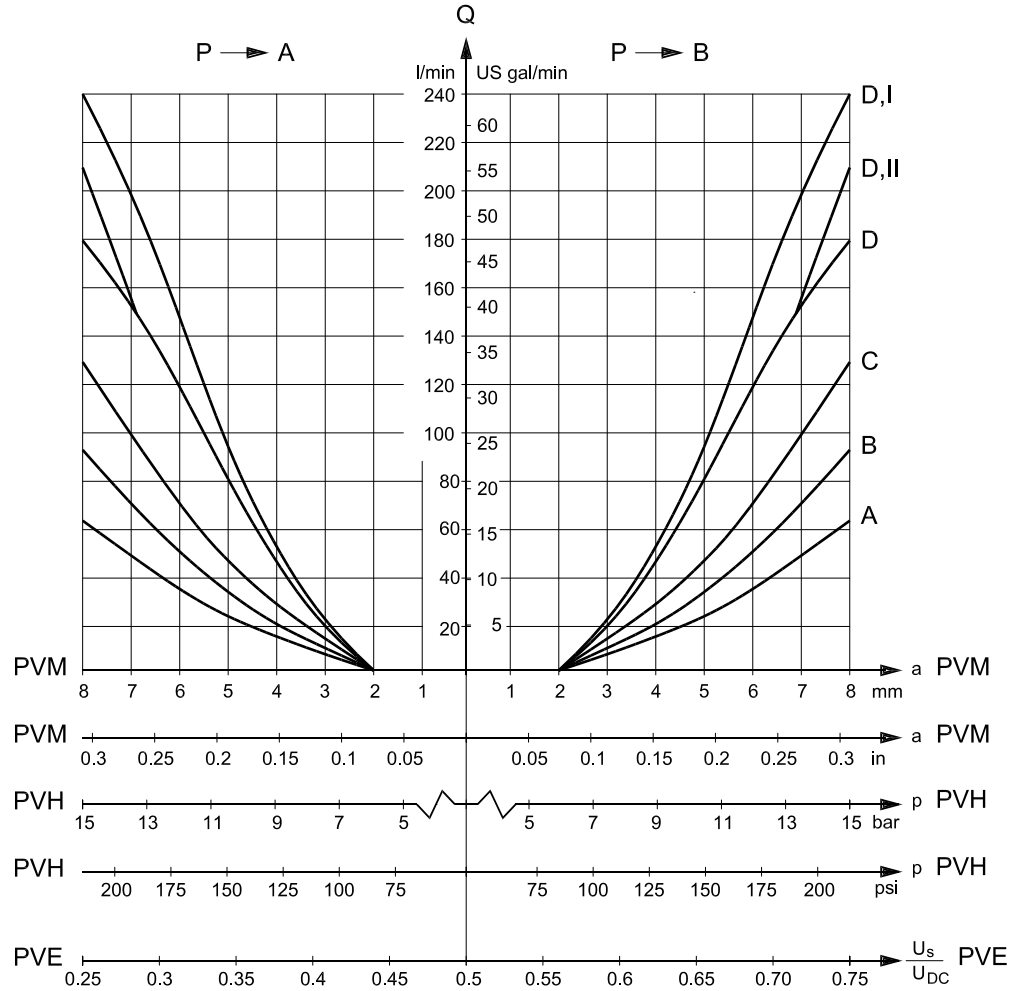
U = PVP for PVB oil flow > 180 l/min [47.6 US gal/min]

S = PVP, standard

**Technical Characteristics**

**PVB, Basic Module**

*Oil flow characteristics*



155B397.10

$U_s$  = Signal voltage;  
 $U_{DC}$  = Supply voltage

*Port conditions at rated oil flow*

Port	Metric units	US units
<b>A</b>	65 l/min	[17.2 US gal/min]
<b>B</b>	95 l/min	[25.1 US gal/min]
<b>C</b>	130 l/min	[34.3 US gal/min]
<b>D</b>	180 l/min	[47.6 US gal/min]
<b>D.I *</b>	240 l/min	[63.4 US gal/min]
<b>D.II **</b>	210 l/min	[55.5 US gal/min]

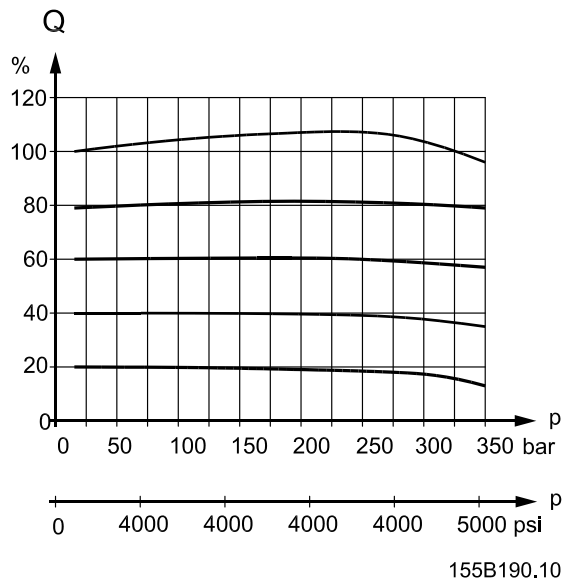
\* Closed center system with basic module for oil flow > 180 l/min [47.6 US gal/min].

\*\* Open center system with basic module for oil flow > 180 l/min [47.6 US gal/min] and pump side module 155G5027 / 155G5028 / 155G5029.



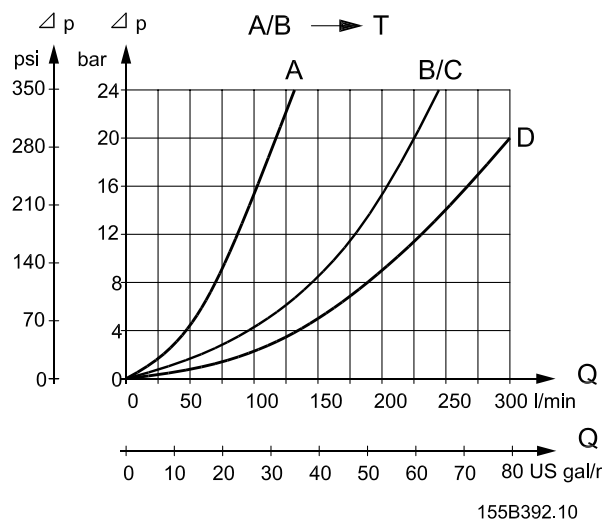
**Technical Characteristics**

*Load independent oil flow*



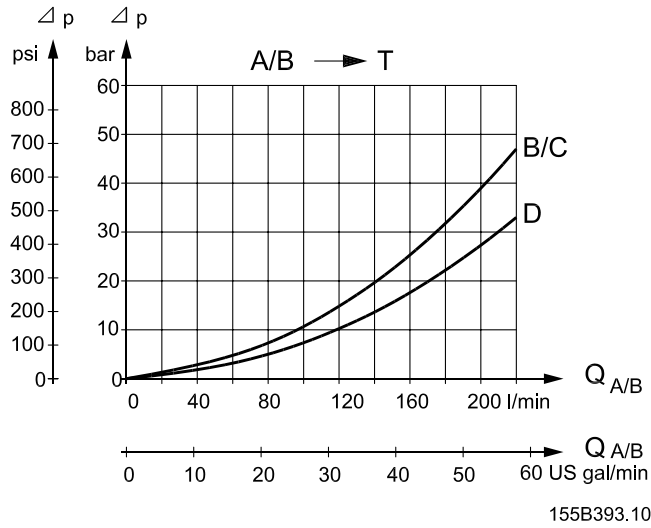
Pressure drop  $\Delta p$  T in neutral position / spools with open neutral position, (p). The oil flow Q is shown as a function of the load (p).

*Pressure drop A/B → T at full spool travel*



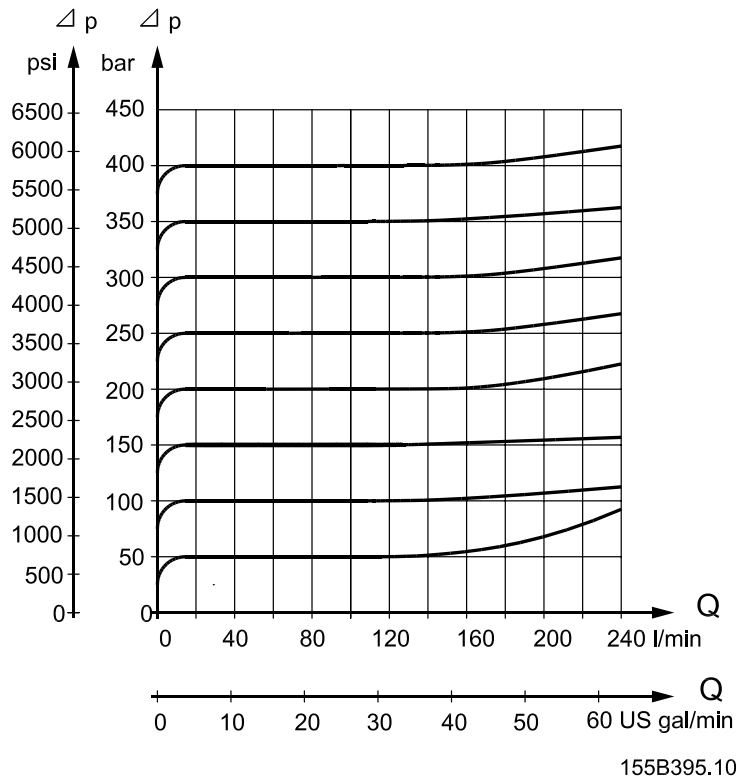
**Technical Characteristics**

*Pressure drop A/B → T, spools with open neutral position*



**PVLP, Shock Valve Characteristic (with Pressure Relief Valve)**

*PVLP, shock valve characteristic (with Pressure Relief Valve)*

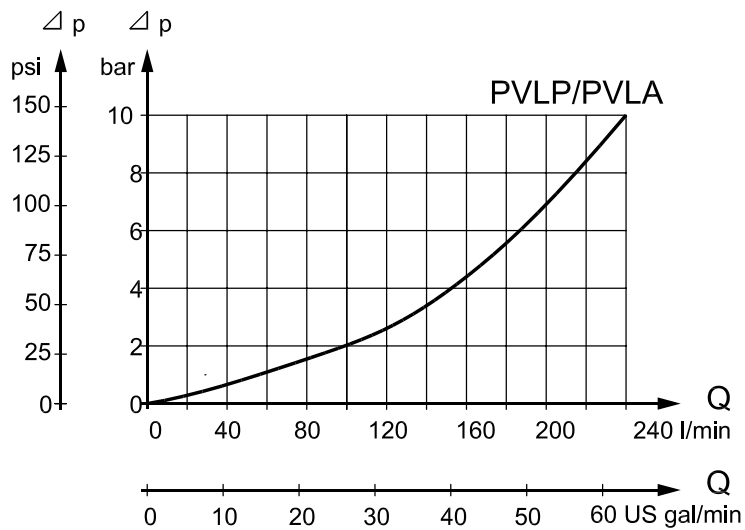


The shock valve PVLP is designed to absorb shock effects. Consequently, it shall not be used as a pressure relief valve.

**Technical Characteristics**

**PVLP/PVLA, Suction Function**

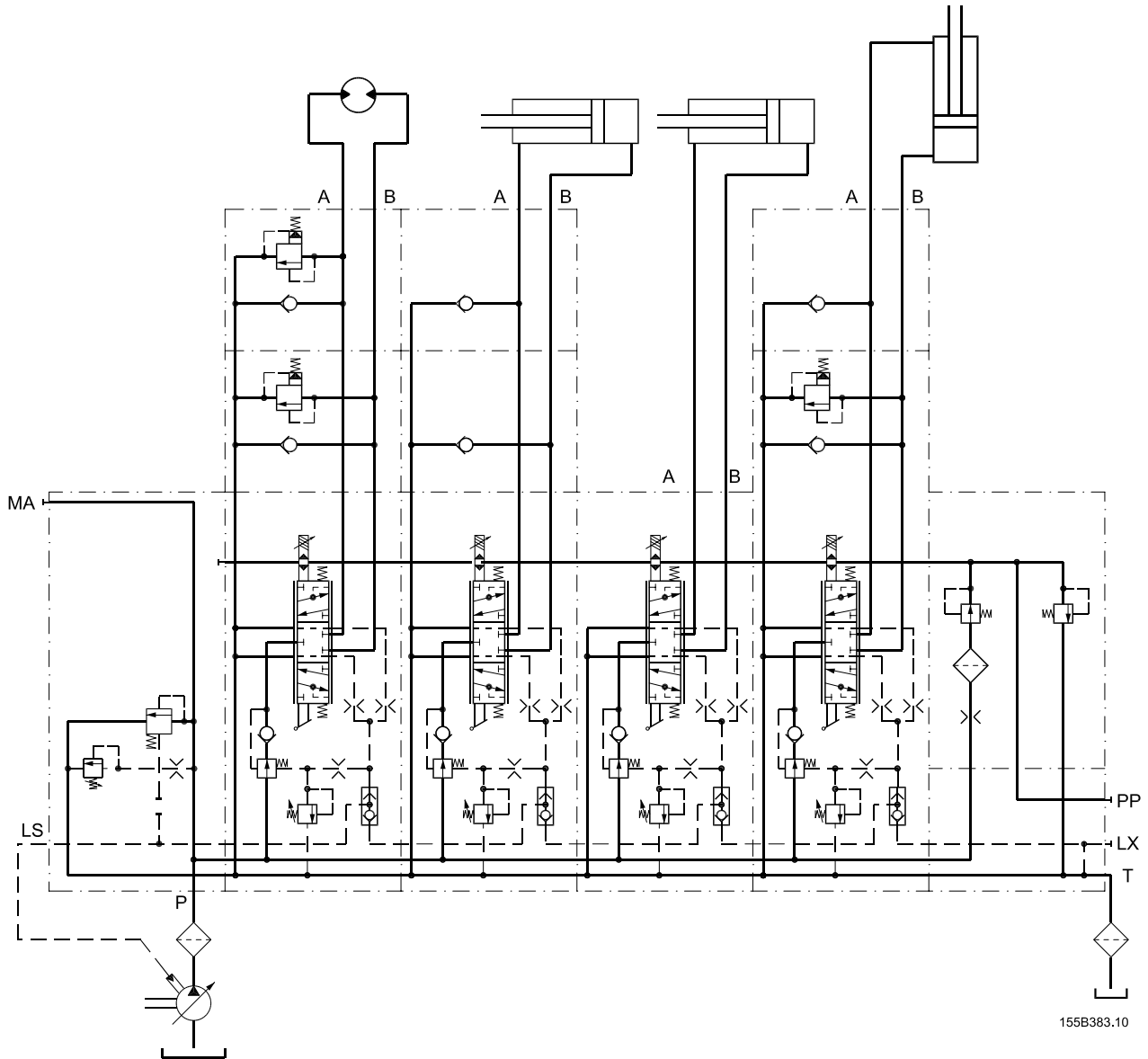
*PVLP/PVLA, suction function characteristic*



155B394.10

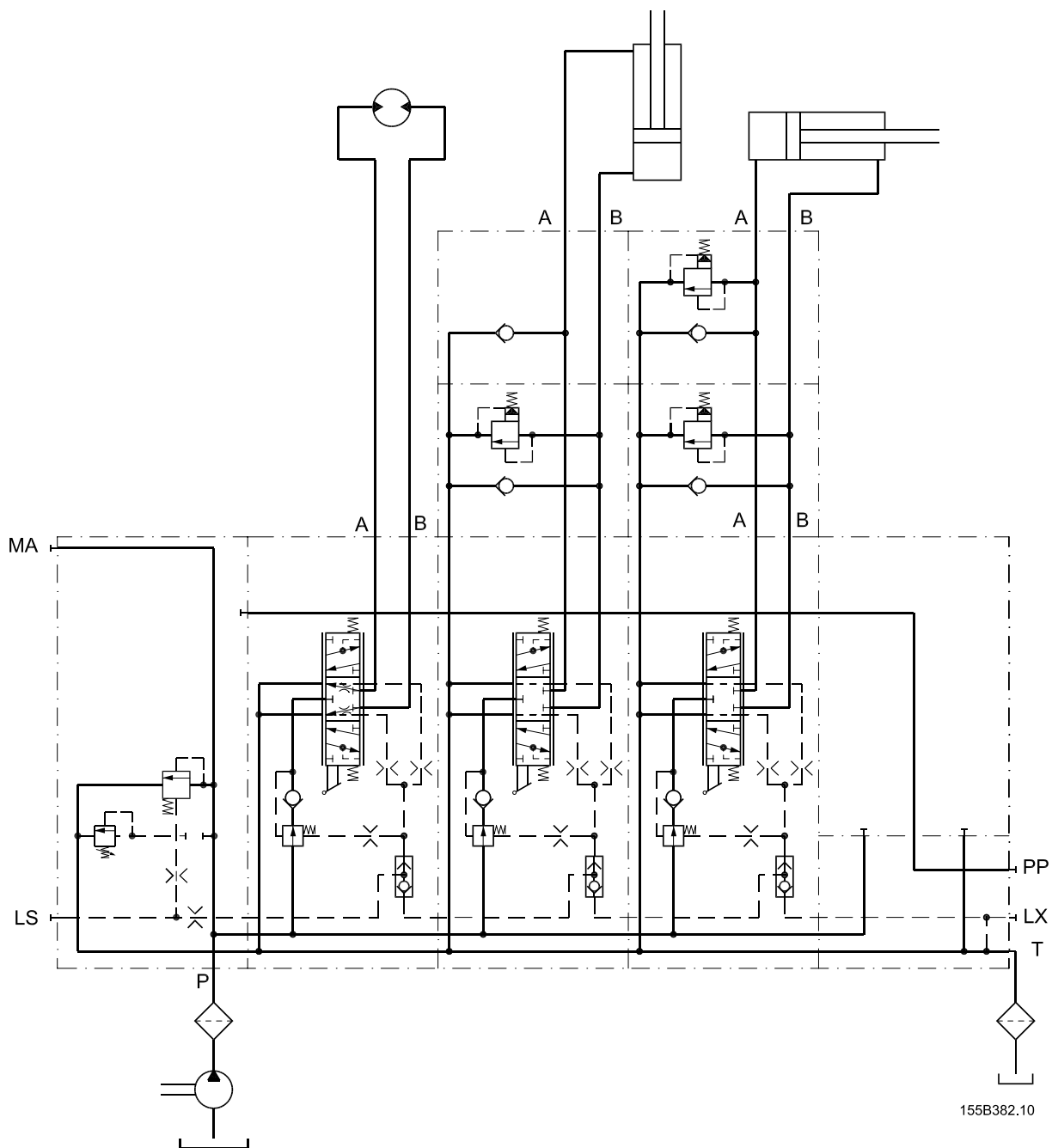
**Hydraulic system examples**

**Example of PVG 120 with variable displacement pump**



Hydraulic system examples

**Example of PVG 120 with fixed displacement pump**



## Other operating conditions

### Hydraulic fluids for PVG

#### Oils

The main duty of the oil in a hydraulic system is to transfer energy; but it must also lubricate the moving parts in hydraulic components, protect them against corrosion, and transport dirt particles and heat out of the system. It is therefore important to choose the correct oil with the correct additives. This gives problem-free operation and long working life.

#### Mineral oils

Danfoss Power Solutions recommends for systems with PVG 120 valves to use mineral-based hydraulic oils containing additives: Type H-LP (DIN 51524) or HM (ISO 6743/4).

#### Non-flammable fluids

Phosphate-esters (HFDR fluids) can be used without special precautions. However, dynamic seals must be replaced with FPM (Viton) seals. Please contact the Danfoss Power Solutions Sales Organisation if the PVG 120 valve is to be used with phosphate-esters.

The following fluids should only be used according to agreement with the Danfoss Power Solutions Sales Organisation:

- Water-glycol mixtures (HFC fluids)
- Water-oil emulsions (HFB fluids)
- Oil-water emulsions (HFAE fluids)

#### Biodegradable fluids

PVG 120 valves can be used in systems using rape-seed oil. The use of rape-seed oil is conditional on:

- it complying with the demands on viscosity, temperature and filtration, etc.
- the operating conditions being adapted to the recommendations of the oil supplier.

Before using other biodegradable fluids, please consult the Danfoss Power Solutions Sales Organisation.

### Particle Content, Degree of Contamination

Oil filtration must prevent the particle content from exceeding an acceptable level, i.e. an acceptable degree of contamination.

Maximum contamination for PVG 120 is 23/19/16 (see ISO 4406).

Calibration in accordance with the ACFTD method.

In our experience a degree of contamination of 23/19/16 can be maintained by using a filter fineness as described in the next section.

### Filtering

Effective filtration is the most important precondition in ensuring that a hydraulic system performs reliably and has a long working life. Filter manufacturers issue instructions and recommendations. It is advisable to follow them.

#### System filters

Where demands for safety and reliability are very high a pressure filter with bypass and indicator is recommended. Experience shows that a 10 µm nominal filter (or finer) or a 20 µm absolute filter (or finer) is suitable.

It is our experience that a return filter is adequate in a purely mechanically operated valve system.

The fineness of a pressure filter must be selected as described by the filter manufacturer so that a particle level of 23/19/16 is not exceeded. See [Particle content, degree of contamination](#) for more information.

### Other operating conditions

The filter must be fitted with pressure gauge or dirt indicator to make it possible to check the condition of the filter.

In systems with differential cylinders or accumulators the return filter must be sized to suit the max. return oil flow. Pressure filters must be fitted to suit max. pump oil flow.

#### Internal filters

The filters built into PVG 120 are not intended to filter the system but to protect important components against large particles.

Such particles can appear in the system as a result of pump damage, hose fracture, use of quick-couplings, filter damage, starting up, contamination, etc.

The filter that protects the pilot supply in the tank side module has a mesh of 125  $\mu\text{m}$ . It is obtainable as a spare part and is easy to replace.

The filter protecting the essential PVE parts has a mesh of 125  $\mu\text{m}$ .

### Conversion Factors

$$1 \text{ N}\cdot\text{m} = 885.1 \text{ lbf}\cdot\text{in}$$

$$1 \text{ N} = 22.48 \text{ lbf}$$

$$1 \text{ bar} = 14.50 \text{ psi}$$

$$1 \text{ mm} = 0.0394 \text{ in}$$

$$1 \text{ cm}^3 = 0.061 \text{ in}^3$$

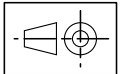
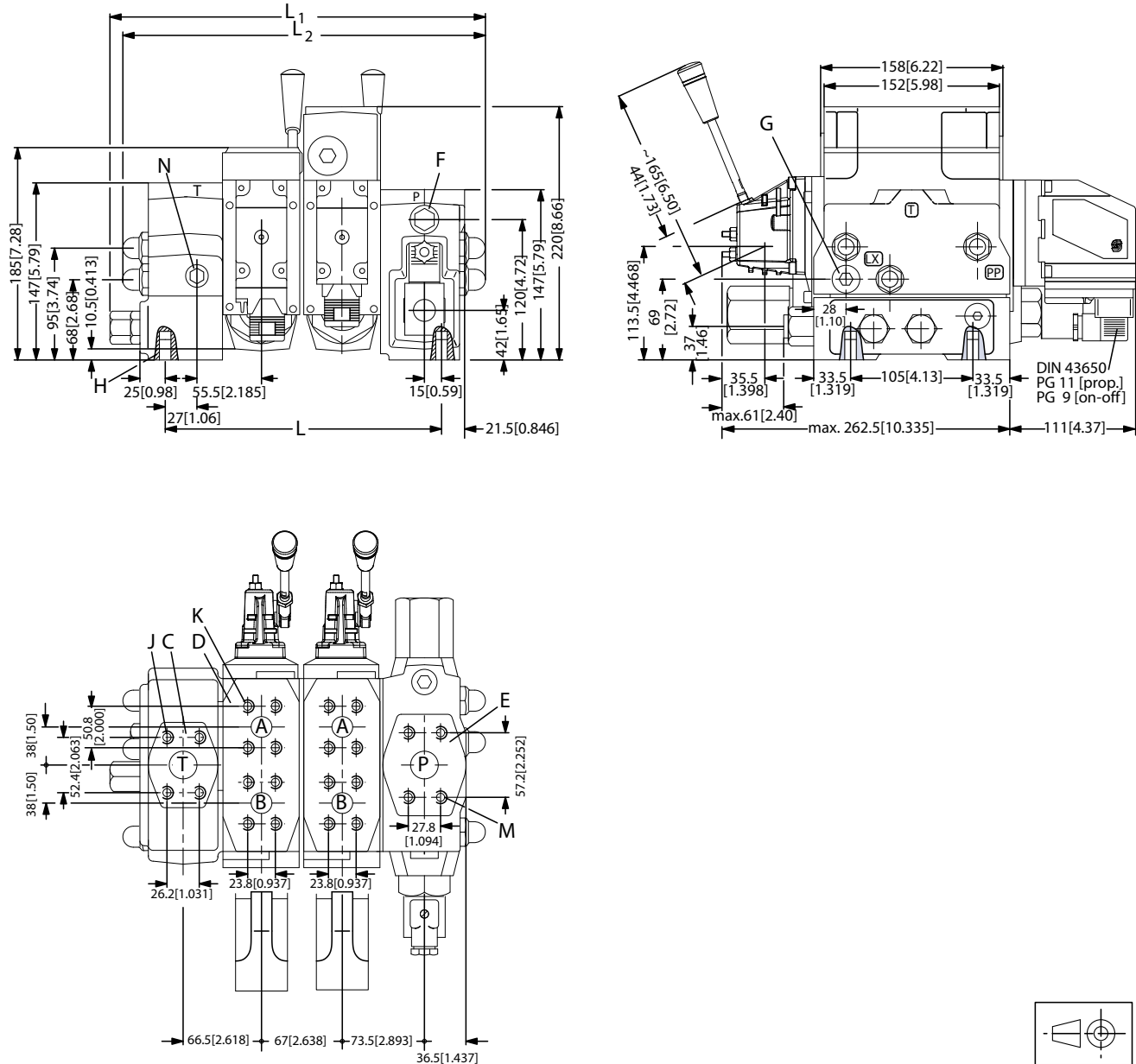
$$1 \text{ l} = 0.22 \text{ UK gal}$$

$$1 \text{ l} = 0.264 \text{ US gal}$$

$$^{\circ}\text{F} = 1.8 \cdot ^{\circ}\text{C} + 32$$

**Dimensions**

**PVG 120 dimensions**



V310153.B

PVB		1	2	3	4	5	6	7	8
L	mm [in]	170 [6.69]	237 [9.33]	304 [11.97]	371 [14.61]	438 [17.24]	505 [19.88]	572 [22.51]	639 [25.16]
L1	mm [in]	263.5 [10.38]	330.5 [13.02]	397.5 [15.66]	464.5 [18.30]	531.5 [20.94]	598.5 [23.58]	665.5 [26.22]	732.5 [28.86]
L2	mm [in]	255 [10.05]	322 [12.69]	389 [15.33]	456 [17.97]	523 [20.61]	590 [23.25]	657 [25.89]	724 [28.53]

**Port**  
**C** 1 in SAE flange (210 bar)      1<sup>5</sup>/<sub>16</sub>-12 UN O-ring Boss (3045 psi)

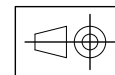
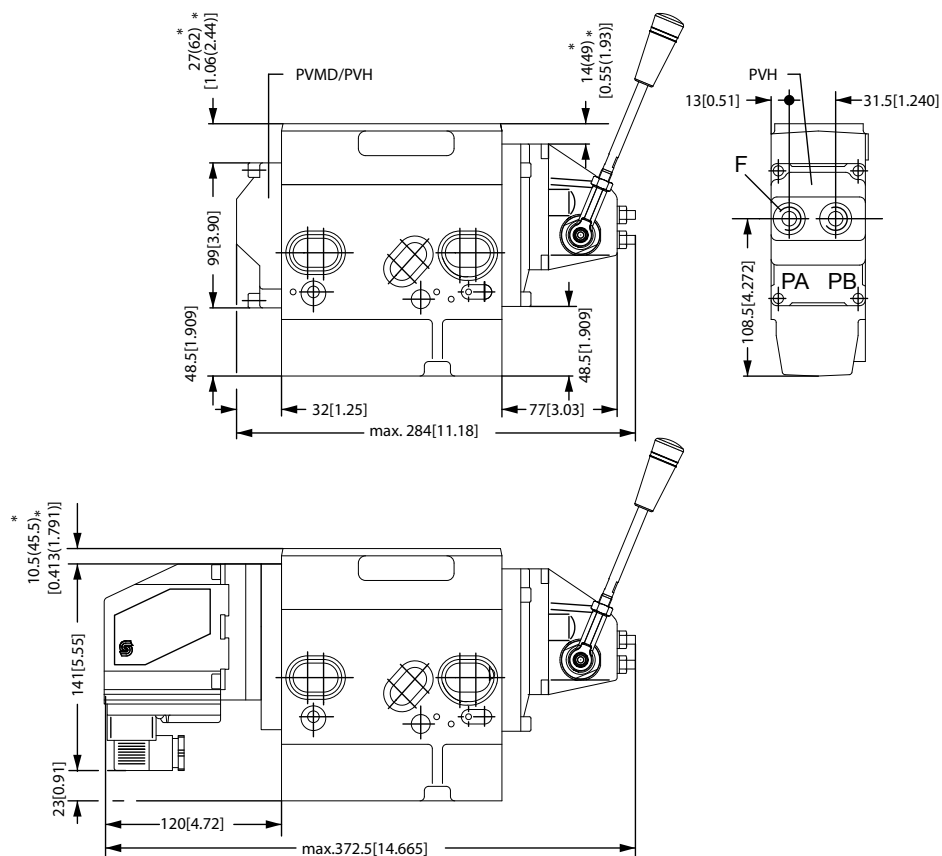


### Dimensions

#### Port

<b>D</b>	¾ in SAE flange (415 bar)	1 ¼-12 UN O-ring Boss (6020 psi)
<b>E</b>	1 in SAE flange (415 bar)	1 ½-12 UN O-ring Boss (6020 psi)
<b>F</b>	G ¼	½-20 UNF
<b>G</b>	G ¾	¾-16 UNF
<b>H</b>	M12; 18 mm deep	7/16-14 UNC; 0.7 in deep
<b>J</b>	M10; 17 mm deep	3/8-16 UNC; 0.7 in deep
<b>K</b>	M10; 17 mm deep	3/8-16 UNC; 0.7 in deep
<b>M</b>	M12; 18 mm deep	7/16-14 UNC; 0.7 in deep
<b>N</b>	G ¾	¾-16 UNF

#### PVG 120 Outline dimensions

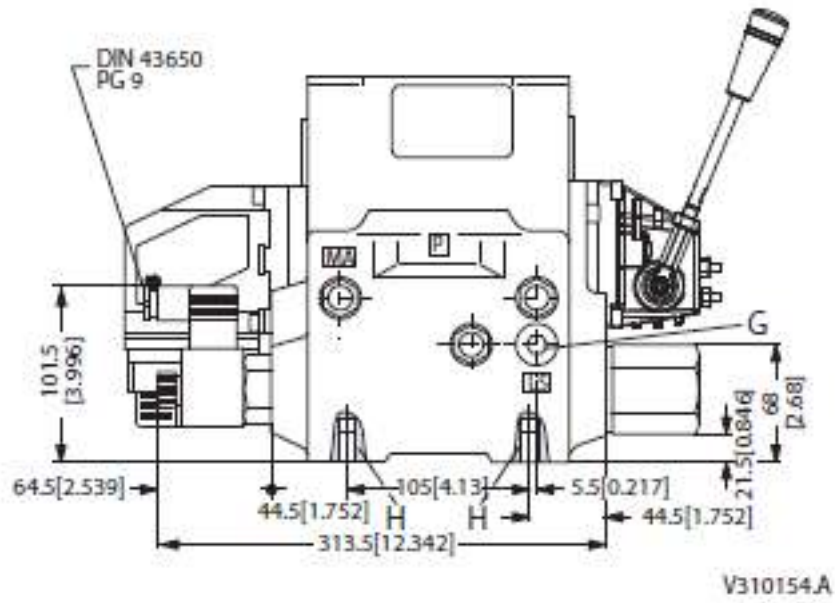


V310103.A

F: G ¼ [1/2 -20 UNF]

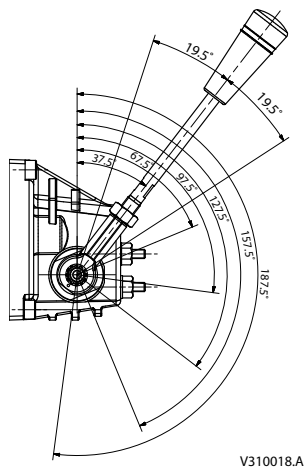
\* Dimensions in parenthesis apply to high basic modules.

**Dimensions**

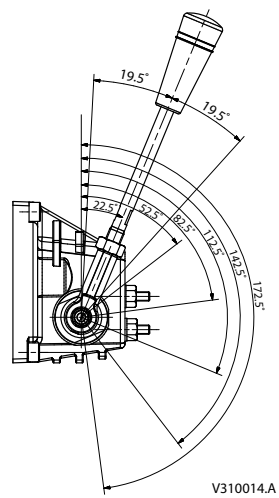


**PVM, Lever Positions**

**Base with an angle of 37.5°**



**Base with an angle of 22.5°**



## Modules and Code Numbers

### PVP and PVPV, Pump Side Modules

Symbol	Description	Port type	Code number
	Open center PVP for pumps with fixed displacement. Pressure gauge connection.	Metric flange	155G5021
		SAE flange	155G5037
		O-ring boss	155G5023
	Open center PVP for oil flow exceeding 180 l/min [47.55 US gal/min]. For pumps with fixed displacement. Pressure gauge connection.	Metric flange	155G5027
		SAE flange	155G5029
		O-ring boss	155G5028
	Closed center PVP for pumps with variable displacement. Pressure gauge connection.	Metric flange	155G5020
		SAE flange	155G5038
		O-ring boss	155G5022
	Closed center PVPV without pressure relief valve. For pumps with variable displacement. Pressure gauge connection.	Metric flange	155G5030
		SAE flange	155G5032
		O-ring boss	155G5031

*Port connections:*

P = 1 in SAE flange; 415 bar [ $1\frac{1}{16}$ -12 UN O-ring Boss; 6020 psi]

MA = G  $\frac{1}{4}$  [ $\frac{1}{2}$ -20 UNF O-ring Boss]

LS = G  $\frac{3}{8}$  [ $\frac{3}{4}$ -16 UNF O-ring Boss]

### PVP, Accessories for Open Center Pump Side Modules

Symbol	Description	Code number	
–	Prop., PVPD	155G5041	
	PVPH, Hydraulically actuated relief valve	155G5061	
		* Connection for external pilot pressure: available with G $\frac{1}{4}$ thread only.	
	PVPE, Electrically actuated relief valve. Normally open solenoid valve.	12 V	155G5052
		24 V	155G5054

**Modules and Code Numbers**

**PVB, Basic Modules**

Symbol	Description	Code number		
		No facilities for shock valves A/B (low modules)	Facilities for shock valves A/B (high modules)	
	Pressure compensated <i>Port connections:</i> A/B: $\frac{3}{4}$ SAE flange; 415 bar [1 $\frac{1}{16}$ -12 UN O-ring Boss; 6020 psi]	Metric flange	155G6014	155G6005
		SAE flange	155G6016	155G6007
		O-ring boss	155G6015	155G6006

**PVB, Accessories for Basic Modules**

Symbol	Description	Code number
	PVBP, plug	155G6081
	PVBU, module for oil flow exceeding 180 l/min [47.6 US gal/min]. Connection for external LS pressure relief.	155G6035
	PVBC, connection for external LS pressure relief.	155G6082
	PVBR, LS-pressure relief valve for ports A/B-port	155G6080

*Port connection: G  $\frac{1}{4}$  available with G  $\frac{1}{4}$  thread only.*

**Modules and Code Numbers**

**PVLA, Suction Valve**

Symbol	Code number
	155G1065

**PVLP, Shock and Suction Valves for A/B Port Connections**

Symbol	Fixed setting bar [psi]		Code number
	50	[725]	155G0050
	75	[1100]	155G0075
	100	[1450]	155G0100
	125	[1800]	155G0125
	150	[2200]	155G0150
	175	[2550]	155G0175
	200	[2900]	55G0200
	225	[3240]	155G0225
	250	[3650]	155G0250
	275	[4000]	155G0275
	300	[4350]	155G0300
	325	[4700]	155G0325
	350	[5100]	155G0350
	375	[5450]	155G0375
	400	[5800]	155G0400

## Modules and Code Numbers

### PVBS, Main Spools

Symbol	ISO Symbol	Description	Code number Size			
			A 65 l/min [17.2 US gal/min]	B 95 l/min [25.1 US gal/min]	C 130 l/min [34.3 US gal/min]	D <sup>1)</sup> 180 l/min [47.6 US gal/min]
		4-way, 3-position. Closed neutral position	155G6452	155G6454	155G6456	155G6458
		4-way, 3-position. Throttled, open neutral position	–	155G6464	155G6466	155G6468
		3-way, 3-position P → B	–	–	155G6476	155G6478

<sup>1)</sup> Main spool D is used for oil flow exceeding 180 l/min [47.6 US gal/min].

### PVM, Mechanical Actuation

#### PVM, Mechanical Actuation

Symbol	Description	Code number	
	PVM, Standard, spring centered mechanical actuation. Individual oil flow adjustment to ports A and B.	22,5°	155G3040
		37,5°	155G3041
	PVM, Mechanical actuation for hydraulically operated valves. Individual oil flow adjustment to ports A and B.	22,5°	155G3050
		37,5°	155G3051

### PVMD, Cover for Mechanical Actuation

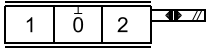
Symbol	Description	Code number
	PVMD, cover for purely mechanically operated valve.	155G4061

### PVH, Hydraulic Actuation

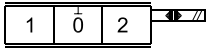
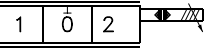
Symbol	Description	Code number	
	PVH, cover for hydraulically operated valve.	G 1/4	155G4022
		1/2–20 UNF	155G4021

## Modules and Code Numbers

### PVHC, High Current Actuator

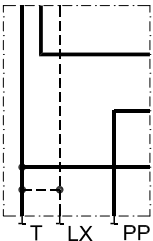
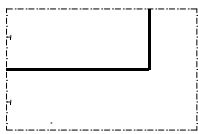
Symbol	Description	Code number			
		Hirschmann	AMP	Deutsch	
 155B388.10	PVHC	12 V	–	–	11110597
		24 V	–	–	11110598

### PVE, Electrical Actuation

Symbol	Description	Code number			
		Hirschmann	AMP	Deutsch	
 155B388.10	PVEO, ON/OFF	12 V	155G4272	155G4282	11110601
		24 V	155G4274	155G4284	11110652
 155B389.10	PVEH, Proportional high. Puls width modulation, short reaction time, low hysteresis, active fault monitoring, inductive transducer	155G4092	155G4094	–	
	PVEH, Proportional high. Puls width modulation, short reaction time, low hysteresis, passive fault monitoring, inductive transducer	155G4093	155G4095	11111206	
	PVES Proportional Super. Puls width modulation, short reaction time, 0% hysteresis passive fault monitoring, inductive transducer	11111210	–	11111207	
	PVED-CC, CAN-Bus SAE J 1939/ISOBUS	–	11111117	11111113	

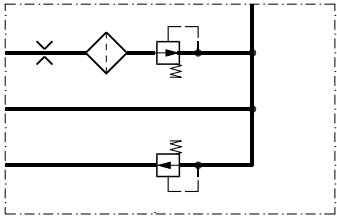
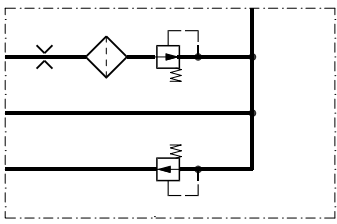
### PVT, tank side module

#### PVT, tank side module

Symbol	Description	Port type	Code number
 155B380.10	Upper part without active elements	Metric flange	155G7020
		SAE flange	155G7022
		O-ring boss	155G7021
	Upper part with LX connection	Metric flange	155G7023
		SAE flange	155G7025
		O-ring boss	155G7024
 155B435.10	Lower part without active elements	Mounting	155G7060
		Mounting thread UNF	155G7062

### Modules and Code Numbers

*PVT, tank side module (continued)*

Symbol	Description	Port type	Code number
 155B381.10	Lower part of PVE, pilot oil supply for electrical actuations. Filter mesh: 125 µm	Mounting thread metric	155G7040
		Mounting thread UNF	155G7042
 155B381.10	Lower part of PVH, pilot oil supply for hydraulic actuations. Filter mesh: 125 µm	Mounting thread metric	155G7043
		Mounting thread UNF	155G7044

*Port connections:*

T = 1 in SAE flange, 210 bar [ $1\frac{5}{16}$ -12 UN O-ring Boss, 3045 psi];

PP = G  $\frac{3}{8}$  [ $\frac{3}{4}$ -16 UNF O-ring Boss]

LX = G  $\frac{3}{8}$  [ $\frac{3}{4}$ -16 UNF O-ring Boss]

### PVAS, Assembly Kit

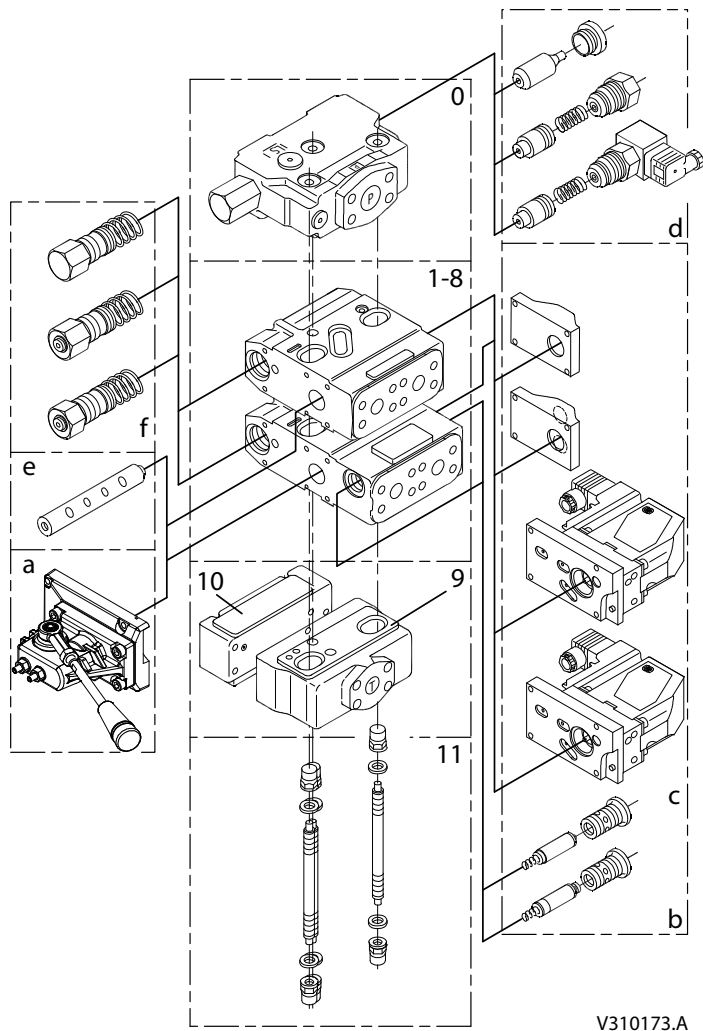
Code number 155G...								
Nr. of modules	1 PVB	2 PVB	3 PVB	4 PVB	5 PVB	6 PVB	7 PVB	8 PVB
Tie bolts and seals	155G8031	155G8032	155G8033	155G8034	155G8035	155G8036	155G8037	155G8038



**PVG 120 Modules Selection Chart**

**PVG 120 module selection chart**

*PVG 120 modules exploded view*



*PVB, high basic module*

	<b>SAE flange</b>	<b>O-ring Boss</b>	<b>Metric flange</b>	<b>Weight kg [lb]</b>
Facilities for shock valves AB	155G6007	155G6006	155G6005	10.2 [22.5]

*PVB, low basic module*

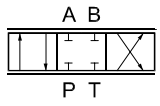
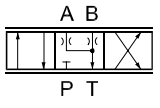
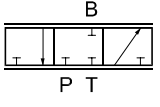
	<b>SAE flange</b>	<b>O-ring Boss</b>	<b>Metric flange</b>	<b>Weight kg [lb]</b>
No facilities for shock valves AB	155G6016	155G6015	155G6014	8.9 [19.6]

**PVG 120 Modules Selection Chart**

*Accessory modules for PVB*

	<b>Code number</b>	<b>Weight, kg [lb]</b>
Plug, PVBP	155G6081	0.4 [0.9]
LS <sub>A/B</sub> press. relief valve, PVBR	155G6080	
External LS connection, PVBC	155G6082	
Module for oil flow > 180 l/min [47.6 US gal/min], PVBU	155G6035	

*PVBS, mechanical actuation*

<b>Oil flow, l/min [US gal]</b>	<b>A 65 [17.2]</b>	<b>B 95 [25.1]</b>	<b>C 130 [34.3]</b>	<b>D 180 [47.6]</b>
 A B P T 155B384.10	155G6452	155G6454	155G6456	155G6458
 A B P T 155B385.10		155G6464	155G6466	155G6468
 B P T 155B386.10			155G6476	155G6478
<b>Weight, kg [lb]</b>	0.35 [0.8]			

*PVM, mechanical actuation*

<b>PVM + PVMD or PVM + PVE</b>	155G3040 155G3041	22.5° 37.5°
<b>PVM + PVH</b>	155G3050 155G3051	22.5° 37.5°
<b>Weight</b>	kg [lb]	0.5 [1.1]

*PVMD, cover for PVM*

<b>Code number</b>	<b>Weight, kg [lb]</b>
155G4061	0.3 [0.7]

*PVT, tank side module*

<b>Code number</b>	<b>SAE flange</b>	<b>O-ring Boss</b>	<b>Metric flange</b>	<b>Weight kg [lb]</b>
Upper part excl. LX connection	155G7022	155G7021	155G7020	4.6 [10.1]
Upper part incl. LX connection	155G7025	155G7024	155G7023	
Lower part incl. pilot oil supply for PVE	155G7042		155G7040	4.4 [9.7]
Lower part excl. pilot oil supply for PVE	155G7062		155G7060	
Lower part incl. pilot oil supply for PVH	155G7044		155G7043	

**PVG 120 Modules Selection Chart**

*PVP, pump side module*

Code number		O-ring Boss	SAE flange	Metric flange	Weight kg [lb]
Open centre	Excl. PVPD, PVPH, PVPE	155G5023	155G5037	155G5021	10.0 [22.1]
	For PVB-oil flow > 180 l/min [47.6 US gal/min] Excl. PVPD, PVPH, PVPE	155G5028	155G5029	155G5027	
Closed centre	Incl. pressure relief valve and plug PVPD	155G5022	155G5038	155G5020	10.2 [22.5]
	Excl. pressure relief valve	155G5031	155G5032	155G5030	11.0 [24.3]

*Accessory modules for open centre PVP*

Description	Code number	Weight kg [lb]
Plug, PVPD	155G5041	0.4 [0.9]
Hydraulic relief valve, PVPH	155G5061	0.5 [1.1]
Electrical relief valve, PVPE	12 V	0.7 [1.5]
	24 V	

*PVH, cover for PVRHH*

Port	Code number	Weight, kg [lb]
1/2 in - 20 UNF	155G4021	0.4 [0.9]
G 1/4	155G4022	

*PVE, electrical actuation*

Connector	PVEH fault monitoring		PVEO voltage	
	Active	Passive	12 V	24 V
Hirschmann	155G4092	155G4093	155G4272	155G4274
AMP	155G4094	155G4095	155G4282	155G4284
Weight, kg [lb]	1.25 [2.76]		1 [2.2]	

*PVLA suction valve A/B*

Code number	Weight kg [lb]
155G1065	0.2 [0.4]

*PVLP, shock and suction valve A/B*

Pressure setting		
bar	[psi]	Code number
50	725	155G0050
75	1100	155G0075
100	1450	155G0100
125	1800	155G0125
150	2200	155G0150

**PVG 120 Modules Selection Chart**

*PVLP, shock and suction valve A/B (continued)*

Pressure setting		
175	2550	155G0175
200	2900	155G0200
225	3250	155G0225
250	3650	155G0250
275	4000	155G0275
300	4350	155G0300
325	4700	155G0325
350	5100	155G0350
375	5400	155G0375
400	5800	155G0400
Weight, kg [lb]		0.175 [0.386]

*PVAS, assembly kit*

PVB's		1	2	3	4	5	6	7	8
Code number		155G8031	155G8032	155G8033	155G8034	155G8035	155G8036	155G8037	155G8038
Weight	kg	0.8	1.0	1.1	1.2	1.4	1.7	1.9	2.1
	[lb]	[1.8]	[2.2]	[2.4]	[2.6]	[3.1]	[3.7]	[4.2]	[4.6]

## Order specification

### Ordering of modules for oil flow exceeding 180 l/min [47.6 US gal/min]

#### **Modules for pump with fixed displacement**

1. *Ordering:* Order accessory module 155G6035, main spool D, and pump side modules 155G5027 / 155G5028 / 155G5029.
2. *Conversion:* In open center systems a max. oil flow exceeding 180 l/min [47.6 US gal/min] can be achieved by changing the following parts in the pump side and basic modules:
  - Open center pump side module
    - Pressure adjustment spool
    - The springs behind the pressure adjustment spool
    - The plug behind the pressure adjustment spool

Parts from kit 155G5035 may be used.

- Closed center pump side module (A closed center pump side module can be changed into an upgraded open center pump side module by means of kit 155G5035.)
- Basic module
  - Spring behind pressure compensator
  - The plug behind the pressure compensator

Spring and plug with code number 155G6035 (PVBU, accessory module).

#### **Modules for pump with variable displacement**

1. *Ordering:* Order accessory module 155G6035 and main spool D.
2. *Conversion:* In closed center systems a max. oil flow exceeding 180 l/min [47.6 US gal/min] can be achieved by changing the following basic module parts:
  - The spring behind the pressure compensator.
  - The plug behind the pressure compensator.

The code number of the spring and plug is 155G6035 (PVBU, accessory module).

## Order Form

An order form for PVG 120 hydraulic valve is shown on next page. The form can be obtained from the Danfoss Power Solutions Sales Organisation.

The module selection chart on the next page and the order form are divided into fields.

*Each module has its own field:*

**0:** PVP, pump side modules

**d:** PVPD, PVPH and PVPE, accessory modules

**1-8:** PVB, basic modules

**e:** PVBS, main spools

**f:** PVBP, PVBR, PVBU and PVBC, accessory modules

**a:** PVM, mechanical actuation

**c:** PVMD, cover for mechanical operation; PVH, cover for hydraulic operation; PVEO and PVEH, electrical actuations

**b:** PVLP, shock and suction valve; PVLA, suction valve

**9:** PVT, tank side module

**10:** PVAS, assembly kit

*Please state:*

**Order specification**

- Code numbers of all modules required
- Required setting (p) for pump side module
- Required setting of LS<sub>A/B</sub> pressure relief valves, if accessory module PVBR is ordered.

**Reordering**

The space at the top right-hand corner of the form is for Danfoss to fill in. The code number for the whole of the specified valve group (PVG No.) is entered here. In the event of a repeat order all you have to do is enter the number Danfoss has given on the initial confirmation of order.

If PVG 120 is to be used with phosphate-esters this must be stated on the order form.



**PVG 120  
 Specification Sheet**

Subsidiary / Dealer	PVG No.
Customer	Customer No.
Application	Revision No.

Function	A-port		B-port	
0 Inlet		155G P =            bar	155G	
1	a 155G	f 155G	155G	e 155G c
	b 155G	LS <sub>A</sub> =            bar	LS <sub>B</sub> =            bar	155G b
2	a 155G	f 155G	155G	e 155G c
	b 155G	LS <sub>A</sub> =            bar	LS <sub>B</sub> =            bar	155G b
3	a 155G	f 155G	155G	e 155G c
	b 155G	LS <sub>A</sub> =            bar	LS <sub>B</sub> =            bar	155G b
4	a 155G	f 155G	155G	e 155G c
	b 155G	LS <sub>A</sub> =            bar	LS <sub>B</sub> =            bar	155G b
5	a 155G	f 155G	155G	e 155G c
	b 155G	LS <sub>A</sub> =            bar	LS <sub>B</sub> =            bar	155G b
6	a 155G	f 155G	155G	e 155G c
	b 155G	LS <sub>A</sub> =            bar	LS <sub>B</sub> =            bar	155G b
7	a 155G	f 155G	155G	e 155G c
	b 155G	LS <sub>A</sub> =            bar	LS <sub>B</sub> =            bar	155G b
8	a 155G	f 155G	155G	e 155G c
	b 155G	LS <sub>A</sub> =            bar	LS <sub>B</sub> =            bar	155G b
9	a 155G	f 155G	155G	e 155G c
	b 155G	LS <sub>A</sub> =            bar	LS <sub>B</sub> =            bar	155G b
10	a 155G	f 155G	155G	e 155G c
	b 155G	LS <sub>A</sub> =            bar	LS <sub>B</sub> =            bar	155G b
11 Upper tank module		155G		
12 Lower tank module		155G		
13 PVAS section		155G		

Comments	
Filled in by	Date



**Comatrol**

[www.comatrol.com](http://www.comatrol.com)

**Turolla**

[www.turollaocg.com](http://www.turollaocg.com)

**Hydro-Gear**

[www.hydro-gear.com](http://www.hydro-gear.com)

**Daikin-Sauer-Danfoss**

[www.daikin-sauer-danfoss.com](http://www.daikin-sauer-danfoss.com)

Local address:

**Danfoss  
Power Solutions (US) Company**

2800 East 13th Street  
Ames, IA 50010, USA  
Phone: +1 515 239 6000

**Danfoss  
Power Solutions GmbH & Co. OHG**

Krokamp 35  
D-24539 Neumünster, Germany  
Phone: +49 4321 871 0

**Danfoss  
Power Solutions ApS**

Nordborgvej 81  
DK-6430 Nordborg, Denmark  
Phone: +45 7488 2222

**Danfoss  
Power Solutions Trading  
(Shanghai) Co., Ltd.**

Building #22, No. 1000 Jin Hai Rd  
Jin Qiao, Pudong New District  
Shanghai, China 201206  
Phone: +86 21 3418 5200

Danfoss can accept no responsibility for possible errors in catalogues, brochures and other printed material. Danfoss reserves the right to alter its products without notice. This also applies to products already on order provided that such alterations can be made without changes being necessary in specifications already agreed. All trademarks in this material are property of the respective companies. Danfoss and the Danfoss logotype are trademarks of Danfoss A/S. All rights reserved.