

Ball valves KHB / KHM

Model code
(also order example)

KHB G 1/2 1112 01 X A SO940

Designation

KHB = block type ball valve DN 04-25
KHM = sleeve type ball valve DN 32-50

Type of connection

Thread size or pipe outer \varnothing and type of connection

Materials

Housing, connection adapters

1 = steel
3 = stainless steel

Ball, control spindle

1 = steel
3 = stainless steel
11 = hardened steel

Sealing cups

1 = POM
3 = PTFE (max. operating pressure 100 bar)
8 = PEEK
11 = steel

Control spindle seals and connection seals

2 = NBR (Perbunan)
3 = PTFE (max. operating pressure 100 bar)
4 = FKM (Viton)

Handle

01	= aluminium clamped handle, straight	DN 12-50
02	= aluminium clamped handle, cranked	DN 12-50
03	= zinc die-cast clamped handle, straight	DN 04-10, 13
04	= zinc die-cast bolt-on handle, cranked	DN 04-10, 13
06	= steel bolt-on handle, cranked	DN 12-50
08	= stainless steel bolt-on handle, cranked	
09	= without handle	
26	= steel bolt-on handle, cranked, long	DN 32-50

Series

(determined by manufacturer)

Surface protection

A = zinc-plated, chrome (VI)-free (standard)
ZN = zinc-nickel, chrome (VI)-free

Option

TT = O-rings for low temperatures, temperature range from -40 °C to +80 °C (only for stainless steel version)
S0 940 = ball valve with 4 fixing holes (e.g. for switch panel installation)
S0 1073 = ball valve with 2 through-bores

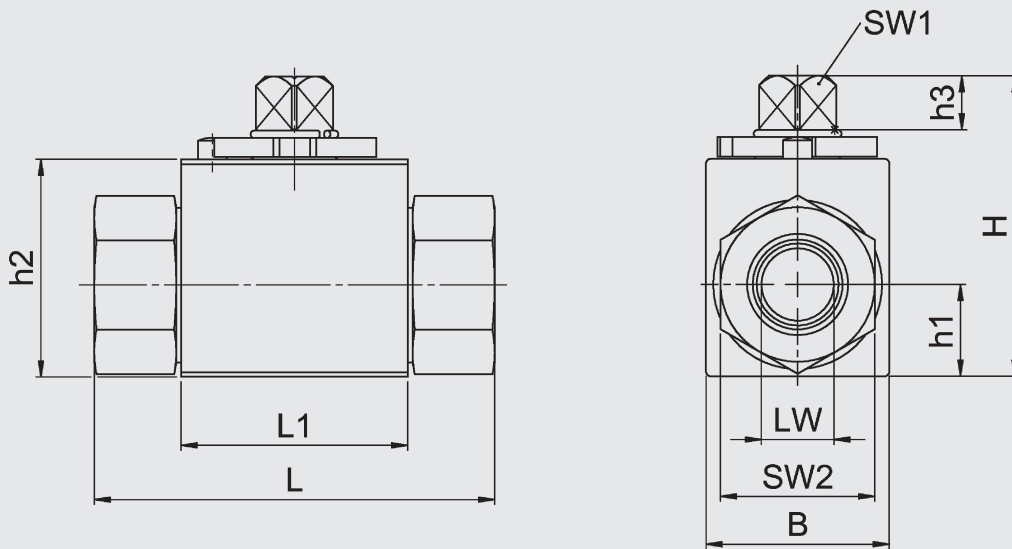
Delivery for non-standard valves is longer and the price is higher.

Technical specifications

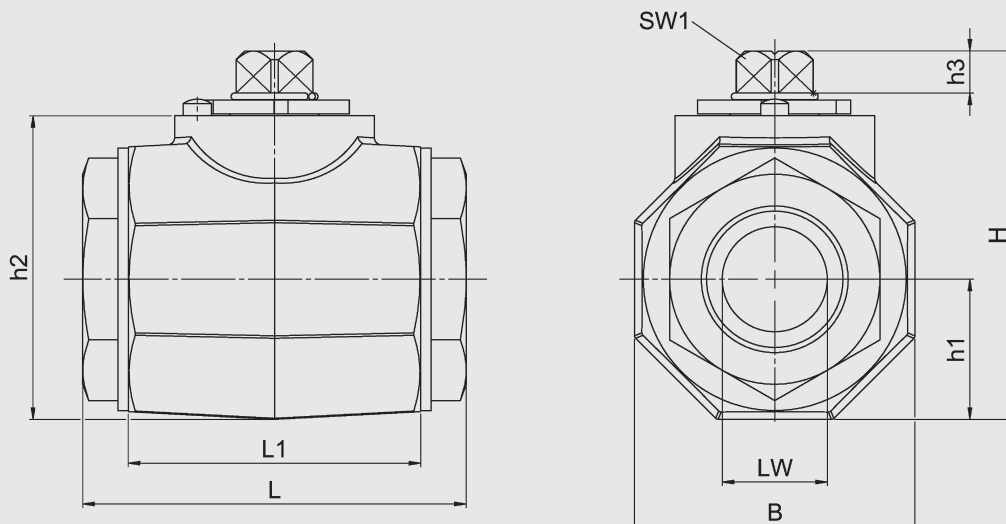
Type of construction:	Block type KHB DN 04 - 25 Sleeve type KHM DN 32 - 50
Types of connection:	Light and heavy threaded connection to DIN 2353 Whitworth internal thread to ISO 228 NPT SAE
Mounting position:	No orientation restrictions
Ambient temperature:	-10 °C to +80 °C
Nominal pressure:	up to PN 500 / 7250 PSI
Operating fluids:	Mineral oil to DIN 51524 Part 1 and Part 2 (other fluids on request)
Temperature of operating fluid:	-10 °C to +80 °C
Type of construction:	Shut-off device is a ball
Weight:	See table
Flow direction:	No orientation restrictions
Spare parts:	Seal kits available on request
Accessories:	All ball valves can be supplied with the following options: Actuator Limit controls Lock

Dimensions

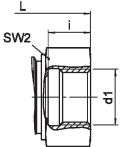
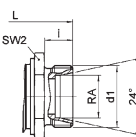
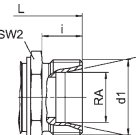
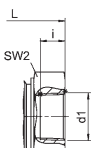
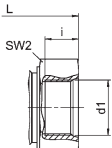
KHB



KHM

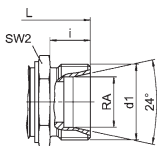
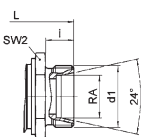
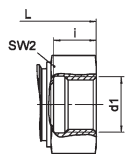


Steel

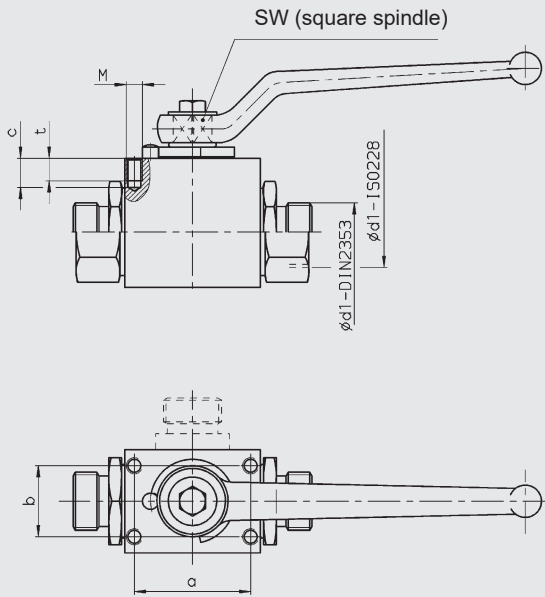
Type of connection	Type	DN	LW	RA	d1	I	L	L1	B	H	h1	h2	h3	SW1	SW2	Weight	Nom. pressure PN
		[mm]	[mm]	[mm]		[mm]	[mm]	[mm]	[mm]	[mm]	[mm]	[mm]	[mm]	[mm]	[mm]	[kg]	[bar]
DIN ISO 228 Internal thread 	KHB-G1/8	4	8	-	G1/8	10	69	37	28	44	14	33	7	9	22	0.29	500
	KHB-G1/4	6	8	-	G1/4	14	69	37	28	44	14	33	7	9	22	0.32	500
	KHB-G3/8	10	10	-	G3/8	14	72	42	32	53	17	40	8.5	9	27	0.46	500
	KHB-G1/2	13	12	-	G1/2	15	84	47	35	53	17	40	8.5	9	30	0.59	500
	KHB-G1/2	16	15	-	G1/2	16	83	47	40	62	20	46	11	12	32	0.7	420
	KHB-G3/4	20	20	-	G3/4	18	95	60	49	75	24.5	57	11.6	14	41	1.3	420
	KHB-G1	25	25	-	G1	20.5	113	65	58	82	28.5	65	11.6	14	50	2.03	420
	KHB-G11/4	25/32	25	-	G11/4	22	120	65	58	82	28.5	65	11.6	14	50	2.06	315
	KHM-G11/4	32	30	-	G11/4	22	109.4	83.4	82	106.2	40	87.7	12	17	60	3.1	420
	KHM-G11/2	40	38	-	G11/2	24	130	91	94	118.2	45	99.7	12	17	70	4.4	420
	KHM-G2	50	48	-	G2	28	140	100	111	134.2	55.5	115.7	12	17	80	6.6	420
DIN 2353 Light range 	KHB-06LR	4	4	6	M12x1.5	7	67	37	28	44	14	33	7	9	22	0.26	500
	KHB-08LR	6	6	8	M14x1.5	7	67	37	28	44	14	33	7	9	22	0.26	500
	KHB-10LR	8	8	10	M16x1.5	11	74	42	32	53	17	40	8.5	9	27	0.43	500
	KHB-12LR	10	10	12	M18x1.5	11	74	42	32	53	17	40	8.5	9	27	0.43	500
	KHB-15LR	13	12	15	M22x1.5	12	82	47	35	53	17	40	8.5	9	30	0.54	500
	KHB-15LR	16	12	15	M22x1.5	12	82	47	40	62	20	46	11.6	12	32	0.64	420
	KHB-18LR	13	12	18	M26x1.5	12	82	47	35	53	17	40	8.5	9	30	0.63	500
	KHB-18LR	16	15	18	M26x1.5	12	82	47	40	62	20	46	11	12	32	1.25	420
	KHB-22LR	20	19	22	M30x2	14	101	60	49	75	24.5	57	11.6	14	41	1.54	420
	KHB-28LR	25	24	28	M36x2	14	108	65	58	82	28.5	65	11.6	14	50	1.54	420
	KHB-35LR	25/32	25	35.3	M45x2	16	112	65	58	82	28.5	65	11.6	14	50	1.95	315
	KHM-35LR	32	30	35.3	M45x2	16	141.4	83.4	82	106.2	40	87.7	12	17	60	3.36	420
	KHM-42LR	40	36	42.3	M52x2	16	162	91	94	118.2	45	99.7	12	17	70	4.88	420
DIN 2353 Heavy range 	KHB-08SR	4	5	8	M16x1.5	7	73	37	28	44	14	33	7	9	22	0.28	500
	KHB-10SR	6	7	10	M18x1.5	7.5	73	37	28	44	14	33	7	9	22	0.32	500
	KHB-12SR	8	8	12	M20x1.5	12	76	42	32	53	17	40	8.5	9	27	0.45	500
	KHB-14SR	10	10	14	M22x1.5	14	80	42	32	53	17	40	8.5	9	27	0.46	500
	KHB-16SR	13	12	16	M24x1.5	14	86	47	35	53	17	40	8.5	9	30	0.55	500
	KHB-16SR	16	12	16	M24x1.5	14	86	47	40	62	20	46	11.6	12	32	0.65	420
	KHB-20SR	13	12	20	M30x2	16	90	47	35	53	17	40	8.5	9	30	0.61	500
	KHB-20SR	16	15	20	M30x2	16	90	47	40	62	20	46	11	12	32	0.67	420
	KHB-25SR	20	20	25	M36x2	18	109	60	49	75	24.5	57	11.6	14	41	1.32	420
	KHB-30SR	25	25	30	M42x2	20	120	65	58	82	28.5	65	11.6	14	50	1.87	420
	KHB-38SR	25/32	25	38.3	M52x2	22	124	65	58	82	28.5	65	11.6	14	55	2.18	315
	KHM-38SR	32	30	38.3	M52x2	22	153.4	83.4	82	106.2	40	87.7	12	17	60	3.43	420
	ANSI B1.20.1 NPT internal thread 	KHB-06NPT	6	8	-	1/4 - 18 NPT	10.2	69	37	28	44	14	33	7	9	22	0.3
KHB-10NPT		10	10	-	3/8 - 18 NPT	10.36	72	42	32	53	17	40	8.5	9	27	0.5	500
KHB-16NPT		13	12	-	1/2 - 14 NPT	13.56	84	47	35	53	17	40	8.5	9	30	0.6	500
KHB-16NPT		16	15	-	1/2 - 14 NPT	13.56	83	47	40	62	20	46	11	12	32	0.75	420
KHB-20NPT		20	20	-	3/4 - 14 NPT	13.86	95	60	49	75	24.5	57	11.6	14	41	1.3	420
KHB-25NPT		25	25	-	1 - 11 1/2 NPT	17.34	113	65	58	82	28.5	65	11.6	14	50	2	420
KHM-32NPT		32	30	-	1 1/4 - 11 1/2 NPT	17.95	109.4	83.4	82	106.2	40	87.7	12	17	60	3.1	420
KHM-40NPT		40	38	-	1 1/2 - 11 1/2 NPT	18.38	130	91	94	118.2	45	99.7	12	17	70	4.4	420
KHM-50NPT		50	48	-	2 - 11 1/2 NPT	19.22	140	100	111	134.2	55.5	115.7	12	17	80	6.6	420
SAE J 514 UN/UNF Internal thread 		KHB-06SAE	6	8	-	7/16 - 20 UNF	12	69	37	28	44	14	33	7	9	22	0.3
	KHB-10SAE	10	10	-	9/16 - 18 UNF	13	72	42	32	53	17	40	8.5	9	27	0.5	500
	KHB-16SAE	13	12	-	3/4 - 16 UNF	15	92	47	35	53	17	40	8.5	9	30	0.6	500
	KHB-16SAE	16	15	-	3/4 - 16 UNF	15	83	47	40	62	20	46	11	12	32	0.75	420
	KHB-20SAE	20	20	-	1 1/16 - 12 UN	20	95	60	49	75	24.5	57	11.6	14	41	1.3	420
	KHB-25SAE	25	25	-	1 5/16 - 12 UN	20	113	65	58	82	28.5	65	11.6	14	50	2	420
	KHM-32SAE	32	30	-	1 5/8 - 12 UN	20	109.4	83.4	82	106.2	40	87.7	12	17	60	3.1	420
	KHM-40SAE	40	38	-	1 7/8 - 12 UN	20	130	91	94	118.2	45	99.7	12	17	70	4.4	420
	KHM-50SAE	50	48	-	2 1/2 - 12 UN	20	140	100	111	134.2	55.5	115.7	12	17	80	6.6	420

Stainless steel

Type of connection	Type	DN	LW	RA	d1	l	L	L1	B	H	h1	h2	h3	SW1	SW2	Weight	Nom. pressure PN
		[mm]	[mm]	[mm]		[mm]	[mm]	[mm]	[mm]	[mm]	[mm]	[mm]	[mm]	[mm]	[mm]	[kg]	[bar]
DIN ISO 228 Internal thread	KHB-G1/8	4	8	–	G1/8	10	69	37	28	44.7	14	33	6.7	9	22	0.36	500
	KHB-G1/4	6	8	–	G1/4	14	69	37	28	44.7	14	33	6.7	9	22	0.43	500
	KHB-G3/8	10	10	–	G3/8	14	71.9	42	32	53.2	17.2	40	8.2	9	27	0.59	500
	KHB-G1/2	13	12	–	G1/2	15	84.2	47	35	53.2	17.2	40	8.2	9	30	0.66	500
	KHB-G1/2	16	15	–	G1/2	16	82.8	47	40	63.2	20	46	11	12	32	1.82	400
	KHB-G3/4	20	20	–	G3/4	18	95	60	49	74.8	24.5	57	11.4	14	41	1.82	350
	KHB-G1	25	25	–	G1	20.5	113.1	65	58	82.6	29.5	65	11.4	14	50	2.97	350
	KHM-G11/4	32	30	–	G11/4	22	109.4	83.4	80	105.2	40	86.7	12	17	60	3.29	350
	KHM-G11/2	40	38	–	G11/2	24	130	91	90	116.2	45	97.7	12	17	70	4	350
	KHM-G2	50	48	–	G2	28	140	100	111	134.2	55.5	115.7	12	17	80	6.82	350
DIN 2353 Light range	KHB-06LR	4	4	6	M12x1.5	10	67	37	28	44.7	14	33	6.7	9	22	0.32	500
	KHB-08LR	6	6	8	M14x1.5	10	67	37	28	44.7	14	33	6.7	9	22	0.43	500
	KHB-10LR	8	8	10	M16x1.5	11	73.9	42	32	53.2	17.2	40	8.2	9	27	0.66	500
	KHB-12LR	10	10	12	M18x1.5	11	73.9	42	32	53.2	17.2	40	8.2	9	27	0.66	500
	KHB-15LR	13	12	15	M22x1.5	12	82	47	35	53.2	17.2	40	8.2	9	30	0.92	500
	KHB-18LR	16	15	18	M26x1.5	12	81.8	47	40	63.2	20	46	11	12	32	0.98	400
	KHB-22LR	20	19	22	M30x2	14	100.7	60	49	74.8	24.5	57	11.4	14	41	1.88	350
	KHB-28LR	25	24	28	M36x2	14	107.9	65	58	82.6	29.5	65	11.4	14	50	2.88	350
	KHM-35LR	32	30	35.3	M45x2	16	141.4	83.4	80	105.2	40	86.7	12	17	60	3.7	350
	KHM-42LR	40	36	42.3	M52x2	16	162	91	90	116.2	45	97.7	12	17	70	4.9	350
DIN 2353 Heavy range	KHB-08SR	4	5	8	M16x1.5	12	73	37	28	44.7	14	33	6.7	9	22	0.46	500
	KHB-10SR	6	7	10	M18x1.5	12	73	37	28	44.7	14	33	6.7	9	22	0.55	500
	KHB-12SR	8	8	12	M20x1.5	12	75.9	42	32	53.2	17.2	40	8.2	9	27	0.67	500
	KHB-14SR	10	10	14	M22x1.5	14	79.9	42	32	53.2	17.2	40	8.2	9	27	0.68	500
	KHB-16SR	13	12	16	M24x1.5	14	85.9	47	35	53.2	17.2	40	8.2	9	30	0.63	500
	KHB-20SR	16	15	20	M30x2	16	89.8	47	40	63.2	20	46	11	12	32	0.95	400
	KHB-25SR	20	20	25	M36x2	18	108.8	60	49	74.8	24.5	57	11.4	14	41	1.98	350
	KHB-30SR	25	25	30	M42x2	20	119.9	65	58	82.6	29.5	65	11.4	14	50	3.09	350
	KHM-38SR	32	30	38.3	M52x2	22	153.4	83.4	80	105.2	40	86.7	12	17	60	3.89	350



Fixing hole dimensions (SO 940)



DIN ISO 228

$\phi d1$	DN	SW	a	b	M	t	c
G 1/8	4	9	31	20	M4	6	8
G 1/4	6	9	31	20	M4	6	8
G 3/8	10	9	36	22	M5	7	9
G 1/2*	13	9	36	22	M5	7	9
G 1/2	16	12	39	26	M5	7	9
G 3/4	20	14	45	28	M6	9	11
G 1	25	14	45	28	M6	9	11

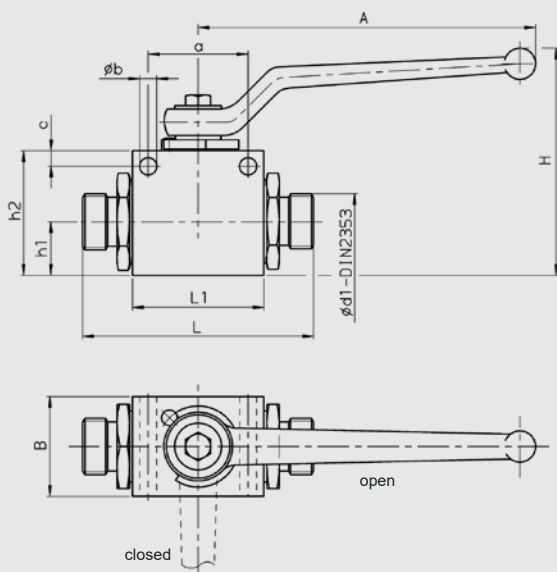
DIN 2353 Light Range

$\phi d1$	DN	SW	a	b	M	t	c
06LR	4	9	31	20	M4	6	8
08LR	6	9	31	20	M4	6	8
10LR	8	9	36	22	M5	7	9
12LR	10	9	36	22	M5	7	9
15LR	12	12	36	22	M5	7	9
15LR*	13	9	36	22	M5	7	9
18LR	16	12	39	26	M5	7	9
18LR*	13	9	36	22	M5	7	9
22LR	20	14	45	28	M6	9	11
28LR	25	14	45	28	M6	9	11

DIN 2353 Heavy Range

$\phi d1$	DN	SW	a	b	M	t	c
08SR	4	9	31	20	M4	6	8
10SR	6	9	31	20	M4	6	8
12SR	8	9	36	22	M5	7	9
14SR	10	9	36	22	M5	7	9
16SR	12	12	39	26	M5	7	9
16SR*	13	9	36	22	M5	7	9
20SR	16	12	39	26	M5	7	9
20SR*	13	9	36	22	M5	7	9
25SR	20	14	45	28	M6	9	11
30SR	25	14	45	28	M6	9	11

Dimensions of through-bore (SO 1073)



DIN ISO 228

$\phi d1$	DN	L	L1	B	H	h1	h2	a	ϕb	c	A
G 1/8	4	69	37	28	65	14	33	28	5.5	4.5	108
G 1/4	6	69	37	28	65	14	33	28	5.5	4.5	108
G 3/8	10	72	42	32	68	17	40	32	5.5	5	108
G 1/2*	13	84	47	35	68	17	40	32	5.5	5	108
G 1/2	16	83	47	40	103	20	46	38	5.5	5	174
G 3/4	20	95	60	49	115	24.5	57	46	6.6	6	174
G 1	25	113	65	58	122	28.5	65	46	6.6	6	174

DIN 2353 Light Range

$\phi d1$	DN	L	L1	B	H	h1	h2	a	ϕb	c	A
08LR	6	67	37	28	65	14	33	28	5.5	4.5	108
10LR	8	74	37	28	65	14	33	28	5.5	4.5	108
12LR	10	74	42	32	68	17	40	32	5.5	5	108
15LR*	13	82	47	35	68	17	40	32	5.5	5	108
15LR	12	82	47	40	103	20	46	38	5.5	5	174
18LR	16	82	47	40	103	20	46	38	5.5	5	174
22LR	20	101	60	49	115	24.5	57	46	6.6	6	174
28LR	25	108	65	58	123	29.5	65	46	6.6	6	174

DIN 2353 Heavy Range

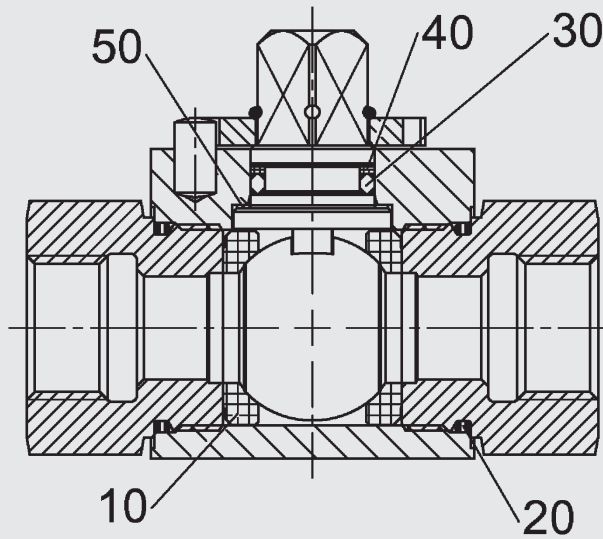
$\phi d1$	DN	L	L1	B	H	h1	h2	a	ϕb	c	A
08SR	4	73	37	28	65	14	33	28	5.5	4.5	108
10SR	6	73	37	28	65	14	33	28	5.5	4.5	108
12SR	8	76	42	32	68	17	40	32	5.5	5	108
14SR	10	80	42	32	68	17	40	32	5.5	5	108
16SR*	13	86	47	35	68	17	40	32	5.5	5	108
16SR	12	86	47	40	103	20	46	38	5.5	5	174
20SR*	13	90	47	35	68	17	40	32	5.5	5	108
20SR	16	90	47	40	103	20	46	38	5.5	5	174
25SR	20	109	60	49	115	24.5	57	46	6.6	6	174
30SR	25	120	65	58	123	29.5	65	46	6.6	6	174

* reduced bore

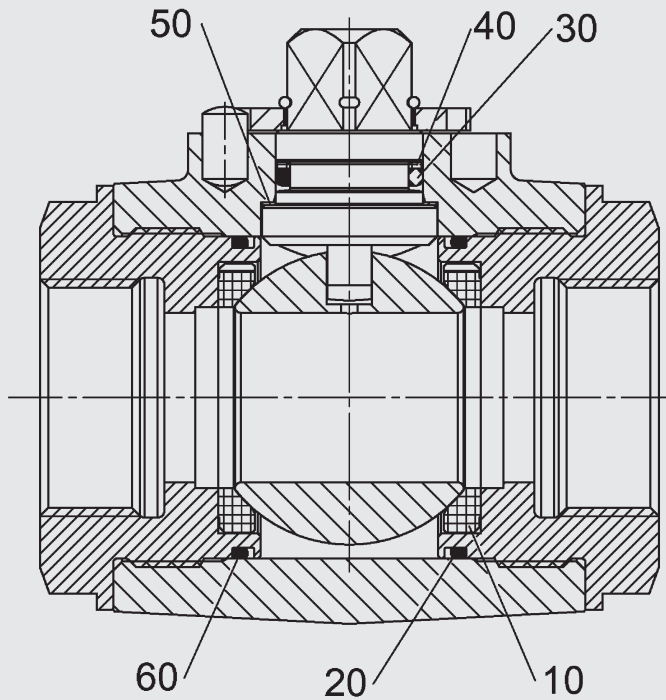
Spare parts

(Seal kit)

KHB, DN 04 - 25



KHM, DN 32 - 50



Seal kit	Order no. = part no.
DN 04/06	703 048
DN 08/10	703 014
DN 13	703 046
DN 12/16	703 010
DN 20	703 005
DN 25	703 004
DN 32	703 045
DN 40	701 292
DN 50	703 007

The parts indicated by numbers in the above drawings are contained in the seal kit.

NOTE

The information in this brochure relates to the operating conditions and applications described. For applications and operating conditions not described, please contact the relevant technical department.

The operator is always responsible for determining the product suitability for the specific application. Quantified values for product characteristics are average values for a new product that undergo a time deterioration process.

Subject to technical modifications and errors.

HYDAC Accessories GmbH

Hirschbachstr. 2

66280 Sulzbach/Saar

Tel.: +49 (0)6897 - 509-01

Fax: +49 (0)6897 - 509-1009

Internet: www.hydac.com

E-Mail: accessories@hydac.com