

W3G300-RQ28-56

EC axial fan

with brushless DC motor

Automotive



ebm-papst Mulfingen GmbH & Co. KG

Bachmühle 2 · D-74673 Mulfingen

Phone +49 7938 81-0

Fax +49 7938 81-110

info1@de.ebmpapst.com

www.ebmpapst.com

Limited partnership · Headquarters Mulfingen

Amtsgericht (court of registration) Stuttgart · HRA 590344

General partner Elektrobau Mulfingen GmbH · Headquarters Mulfingen

Amtsgericht (court of registration) Stuttgart · HRB 590142

Nominal data

Type	W3G300-RQ28-56	
Motor	M3G074-CF	
Nominal voltage	VDC	27.5
Nominal voltage range	VDC	16 .. 32
Method of obtaining data		fa
Speed (rpm)	min ⁻¹	3380
Power consumption	W	320
Current draw	A	11.5
Min. ambient temperature	°C	-40
Max. ambient temperature	°C	85

ml = Max. load · me = Max. efficiency · fa = Free air · cs = Customer specification · ce = Customer equipment
Subject to change

Data according to Commission Regulation (EU) 327/2011 (EN 17166)

		Actual	Req. 2015			
01 Overall efficiency η_{es}	%	42.5	30.8	09 Power consumption P_e	kW	0.35
02 Measurement category		A		09 Air flow q_v	m ³ /h	1755
03 Efficiency category		Static		09 Pressure increase p_{fs}	Pa	277
04 Efficiency grade N		51.7	40	10 Speed (rpm) n	min ⁻¹	3385
05 Variable speed drive		Yes		11 Specific ratio*		1.00

Data obtained at optimum efficiency level.
The ErP data is determined using a motor-impeller combination in a standardized measurement setup.

* Specific ratio = $1 + p_{fs} / 100\,000\text{ Pa}$

LU-122953



Technical description

Weight	2.5 kg
Size	300 mm
Motor size	74
Impeller material	PA6 plastic
Fan housing material	PP plastic
Number of blades	5
Airflow direction	V
Balancing grade according to DIN ISO 21940-11	G 10
Direction of rotation	Clockwise, viewed toward rotor
Degree of protection	Motor IP24 KM
Insulation class	"B"
Moisture (F) / Environmental (H) protection class	H2
Max. permitted ambient temp. for motor (transport/storage)	+70 °C
Min. permitted ambient temp. for motor (transport/storage)	-40 °C
Installation position	Any
Condensation drainage holes	None, open rotor
Mode	S1
Motor bearing	Ball bearing; (sealed)
Life expectancy	25,000 h (typical)
Technical features	<ul style="list-style-type: none"> - Load dump protection - Motor current limitation - Soft start - Control input 0-5 VDC - Standstill on cable break - Overvoltage detection - Thermal overload protection for electronics - Line undervoltage detection - Reverse polarity protection
EMC regulations	According to ECE R10 Rev. 3
Electrical hookup	Connector with cable; Standby current less than 500 µA
With cable	Lateral
Approval	E1; EAC
Comment	Type approval number – 036433

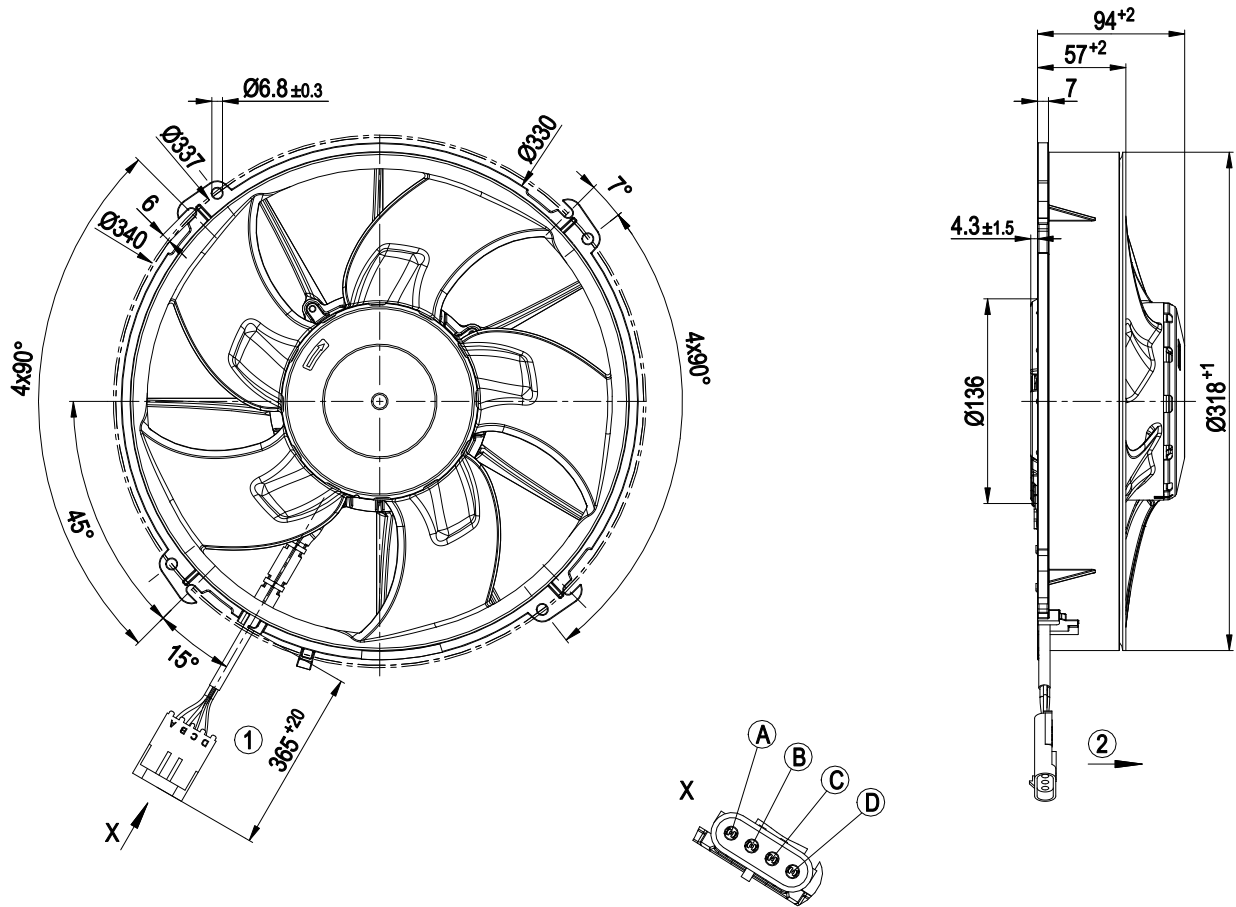
W3G300-RQ28-56

EC axial fan

with brushless DC motor

Automotive

Product drawing



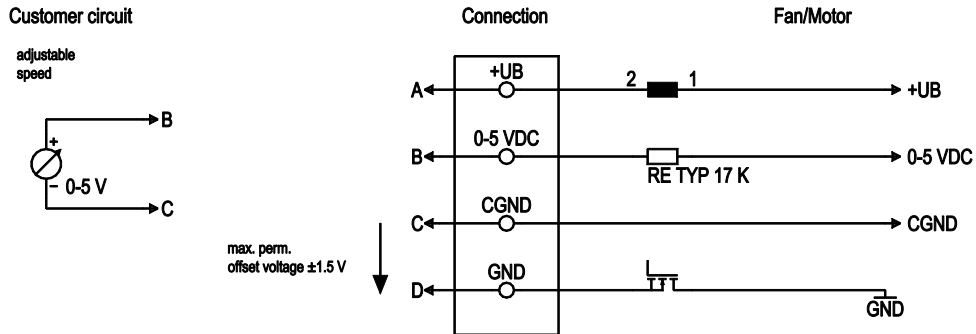
1	Cable, 2x Raychem Spec. 44 AWG20, 2x Raychem Spec. 44 AWG14 4-pole connector housing Aptiv 12010974, 2x plug pin Aptiv 12089040, 2x plug pin Aptiv 12124582, 2x seal Aptiv 15324982, 2x seal Aptiv 15324983
A	+ UB
B	PWM/LIN
C	CGND
D	GND
	4-pole mating connector Aptiv 12015797, 2x plug contact Aptiv 120 89188, 2x plug contact Aptiv 121 24580, 2x seal Aptiv 153 24982, 2x seal Aptiv 153 24983
2	Direction of air flow "A"



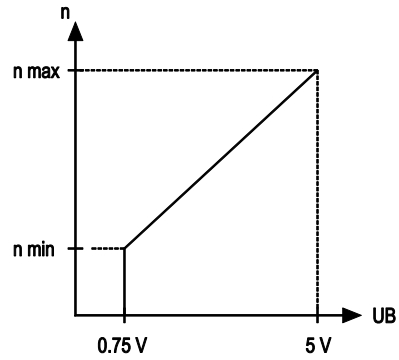
EC axial fan

with brushless DC motor
Automotive

Connection diagram



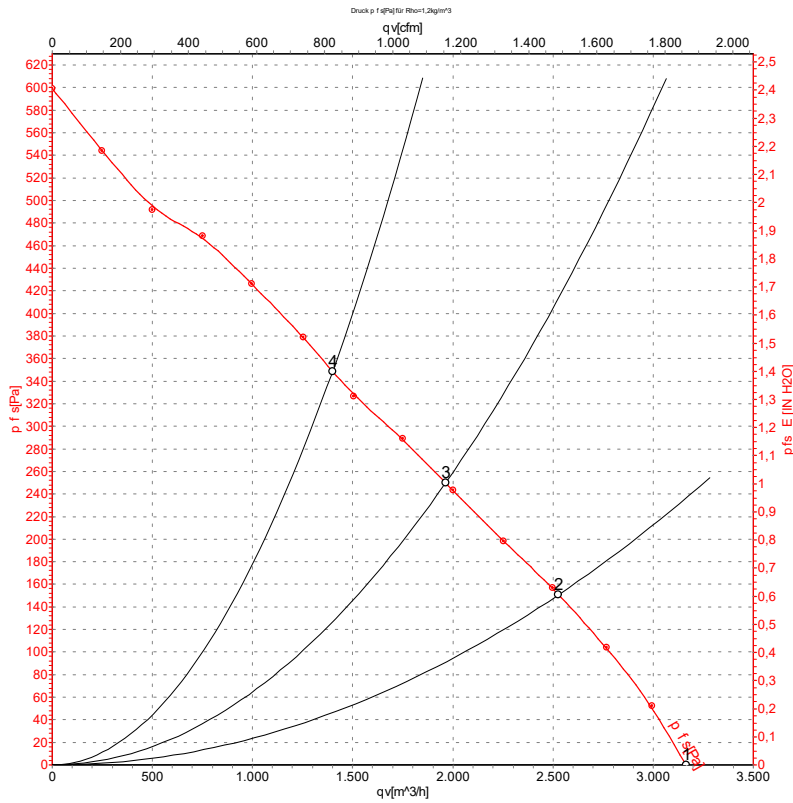
adjustable speed
0 V → Standby
0.75 V → n=min
5 V → n=max



No.	Conn.	Designation	Function/assignment
	A	+UB	Power supply
	B	0-5 VDC	Analog voltage control input 0-5 V
	C	CGND	Control input reference ground, permissible offset ±1.5 V
	D	GND	Power supply GND, reference ground



Curves: Air performance



Measurement: LU-122953-1

Air performance measured according to ISO 5801 installation category A. For detailed information on the measurement setup, contact ebm-papst. Intake sound level: Sound power level according to ISO 13347 / sound pressure level measured at 1 m distance from fan axis. The values given are valid under the specified measuring conditions and may vary due to conditions of installation. For deviations from the standard configuration, the parameters have to be checked on the installed unit.

Measured values

	U	n	P _{ed}	I	LpA _{in}	q _v	p _{fs}	q _v	p _{fs}
	V	min ⁻¹	W	A	dB(A)	m ³ /h	Pa	cfm	in. wg
1	27.5	3380	320	11.50	76	3165	0	1860	0.00
2	27.5	3380	334	12.14	77	2525	150	1485	0.60
3	27.5	3380	344	12.46	79	1965	250	1155	1.00
4	27.5	3370	375	13.63	81	1400	350	825	1.41

U = Voltage · n = Speed (rpm) · P_{ed} = Power consumption · I = Current draw · LpA_{in} = Sound pressure level intake side · q_v = Air flow · p_{fs} = Pressure increase

