

IT	QTY	PART NAME	MATERIAL
NP	1	Name Plate	F316
1	1	Handle	Carbon Steel + Epoxy Coated ¹⁾
2a	1	Handle nuts	F304
2b	1		
3	1 ²⁾	Packing ring	Graphite
4	2 ³⁾	Spring washers	F316 Treated
5	1	Antistatic stem	F316/F316L Dual Certified
6	1	Gland packing	F316
7	1	Thrust washer	PTFE
8	1 ⁴⁾	"O"ring stem	Viton
9	1	Ball	F316/F316L Dual Certified
10	2	Seats	RPTFE (Carbon/Graphite)
10a	2	Seat Gasket	Viton
11	1	1st Body seals	RPTFE (Carbon/Graphite)
12	1	Body	A350 LF2
13	1	End connections	A350 LF2
14	1	Stop-pin	F316
16	4 ⁵⁾	Bolts	A320 L7+Zinc Plated
17	1 ⁶⁾	Stop washer	F304
18	1	2nd Body seals	Graphite

- 1) Carbon Steel+Plastic for DN80 -100 2) Qty 2 for DN80
 3) Qty 0 for DN80 and over 4) Qty 2 for DN80
 5) Qty 6 for DN50-65, Qty 8 for DN80, Qty 10 for DN100
 6) Qty 0 for DN65 and over

Recommended Spare Parts for Start-Up or Commissioning

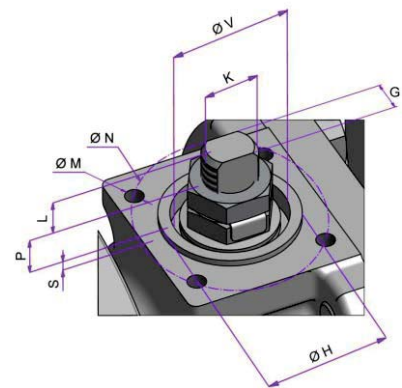
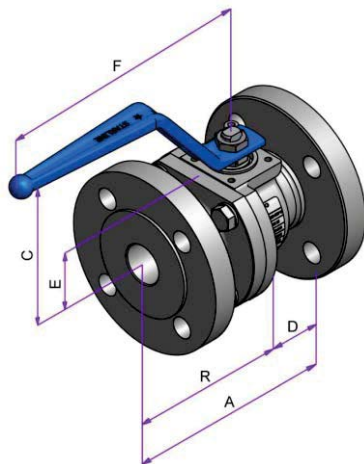
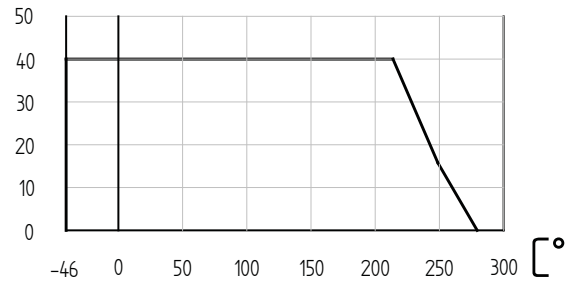
Construction

- Floating ball
- Full bore
- Soft Seat
- 2-piece construction
- Antistatic Stem
- Blow-out proof stem
- Bidirectional
- Double body seal
- Triple stem seal
- Encapsulated seats

General Features

- PED Cat III Mod H
- Firesafe
- Atex II 2 GD
- TA-Luft
- ISO15848 Rate B
- ISO5208 rate A
- SIL 3
- NACE MR0175/MR0103
- Country of Origin: Italy

bar



SIZE		DIMENSIONS [mm]							WEIGHT	TORQUE
DN		A	R	D	BORE	C	E	F	[kg]	[Nm]
15	½"	130	81	49	15	79	27	144	2,6	15
20	¾"	150	100	50	20	101	33,5	173	4	23
25	1"	160	107	53	25	105	38	173	5,8	32
32	1¼"	180	123,5	56,5	32	112	43,5	218	8,1	38
40	1½"	200	141,5	58,5	40	116	47,5	218	9,6	44
50	2"	230	167	63	50	124	58,5	218	11,9	113
65	2½"	290	217,5	72,5	65	140	70	420	20,9	138
80	3"	310	233	77	80	150	87,5	420	26,5	157
100	4"	350	235,5	114,5	100	190	112,5	420	51	On request

DIMENSIONS [mm]									ISO5211
L	P	S	V	K	G	H	N	M	
5,5	4,5	1,5	21	M10x1	5,5	25	36	M5x8	F03
7	11	1,5	25	M12x1,25	7,5	30	42	M5x8	F04
7	11	1,5	25	M12x1,25	7,5	30	42	M5x8	F04
13	12,5	1,5	30	M15x1,5	8,9	35	50	M6x10	F05
13	12,5	1,5	30	M15x1,5	8,9	35	50	M6x10	F05
12,5	9,5	1,5	30	M15x1,5	8,9	35	50	M6x10	F05
17	12	1,5	48	M22x1,5	16	55	70	M8x12	F07
14	21,5	1,5	48	M24x2	18	55	70	M8x12	F07
16	15,5	1,5	48	M24x2	18	55	70	M8x12	F07

Torque values have been measured ΔP at max rating at room temperature (It must be understood that many factors can influence the torque)

Dimensions and weights are subject to change without notice.

Face to face dimensions not listed in industry standards are subject to change without notice.