

MPF Multiport



Maximum pressure 8 bar
Flow rates to 750 l/min

Filter housing (Materials)

- Head: Aluminium
- Cover: Nylon (only for: MPF 020-030-100-104-110)
Aluminium (all the other)
- Bowl: Nylon

Pressure

- Working pressure: 8 bar

Temperature

- From -25 °C to +110 °C

Bypass valve

- Opening pressure 1.75 bar \pm 10%
- Opening pressure 3 bar \pm 10%

Δp Elements type

- Series N and H elements: 10 bar
- Oil flow from outside to inside.

Seals

- Standard NBR series A
- Optional FPM series V

MPF FILTERS ARE PROVIDED FOR VERTICAL MOUNTING

Weights (kg)

| Length | 1 | 2 | 3 | 4 |
|---------------|------|------|------|------|
| • MPF 020 | 0,30 | - | - | - |
| • MPF 030 | 0,40 | - | - | - |
| • MPF 100 | 0,61 | 0,64 | 0,67 | 0,74 |
| • MPF 104 | 0,82 | 0,96 | 1,02 | 1,25 |
| • MPF 110 | 0,64 | 0,68 | 0,71 | 0,78 |
| • MPF 181 | 2,20 | 3,00 | - | - |
| • MPF 182 | 2,30 | 3,10 | - | - |
| • MPF 184 | 2,55 | 3,45 | - | - |
| • MPF 191 | - | 3,00 | - | - |
| • MPF 192 | - | 3,10 | - | - |
| • MPF 194 | - | 3,45 | - | - |
| • MPF 400 | 3,35 | 3,65 | 3,90 | - |
| • MPF 450-451 | 3,95 | 4,25 | 4,50 | - |
| • MPF 750 | 6,30 | - | - | - |

Volumes (dm³)

| Length | 1 | 2 | 3 | 4 |
|---------------|------|------|------|------|
| • MPF 020 | 0,26 | - | - | - |
| • MPF 030 | 0,29 | - | - | - |
| • MPF 100 | 0,64 | 0,85 | 1,20 | 1,65 |
| • MPF 104 | 0,64 | 0,85 | 1,20 | 1,65 |
| • MPF 181 | 2,50 | 4,00 | - | - |
| • MPF 182 | 2,50 | 4,00 | - | - |
| • MPF 184 | 2,65 | 4,45 | - | - |
| • MPF 191 | - | 4,25 | - | - |
| • MPF 192 | - | 4,25 | - | - |
| • MPF 194 | - | 4,45 | - | - |
| • MPF 400 | 3,70 | 4,60 | 5,40 | - |
| • MPF 450-451 | 3,70 | 4,60 | 5,40 | - |
| • MPF 750 | 8,45 | - | - | - |

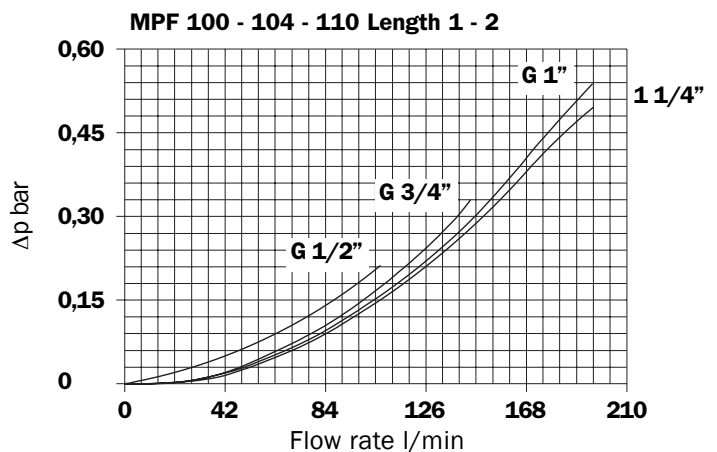
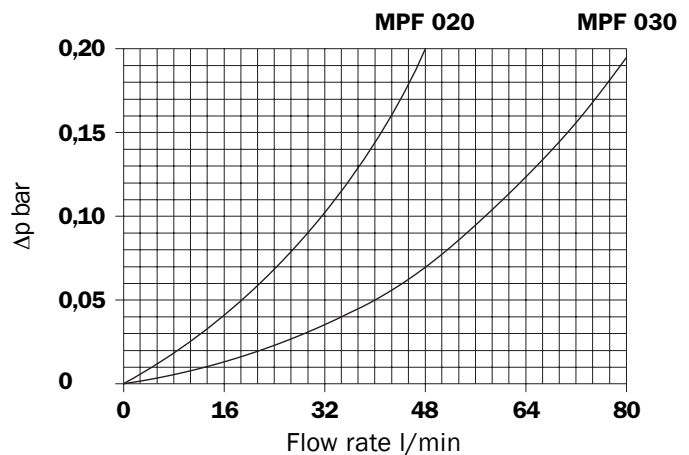
Compatibility (to ISO 2943)

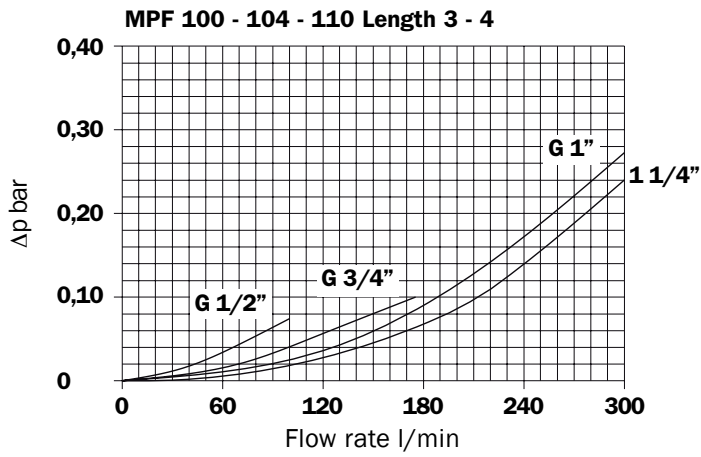
- Housings compatible with:
Mineral oils, synthetic fluids.
Aqueous emulsions, water and glycol (series W required).
- The filter elements are compatible with:
Mineral oils, synthetic fluids.
Aqueous emulsions, water and glycol (series W required).
- NBR seals series A, compatible with:
Mineral oils, synthetic fluids.
Aqueous emulsions, water and glycol.
- FPM seals V series, compatible with:
Synthetic fluids type HS-HFDR-HFDS-HFDU

Filter housings Δp pressure drop

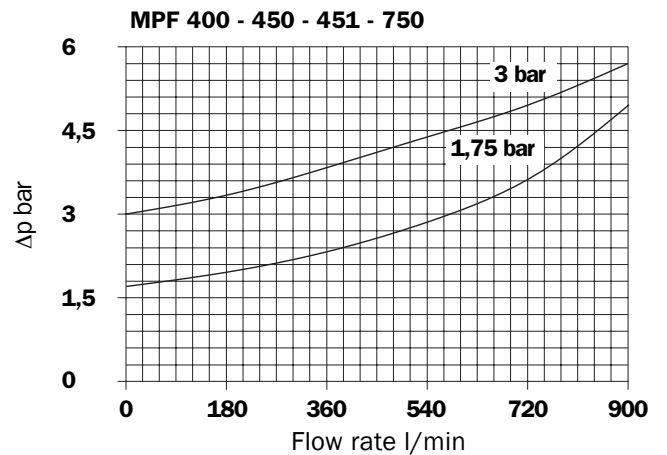
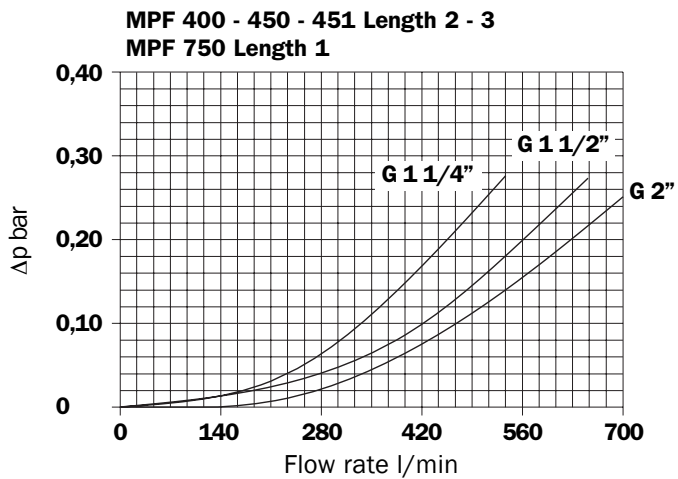
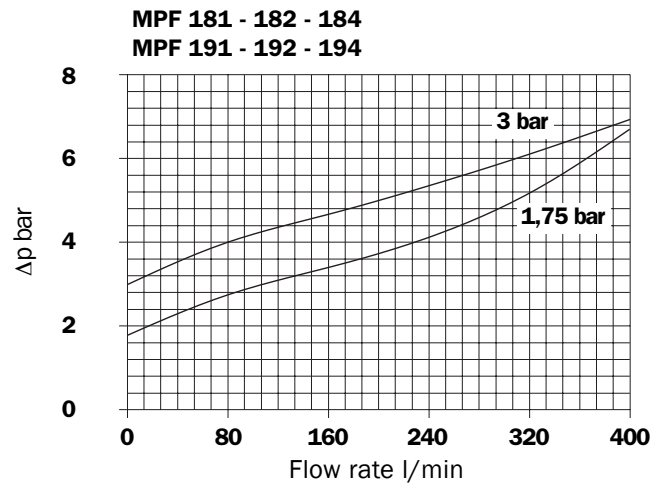
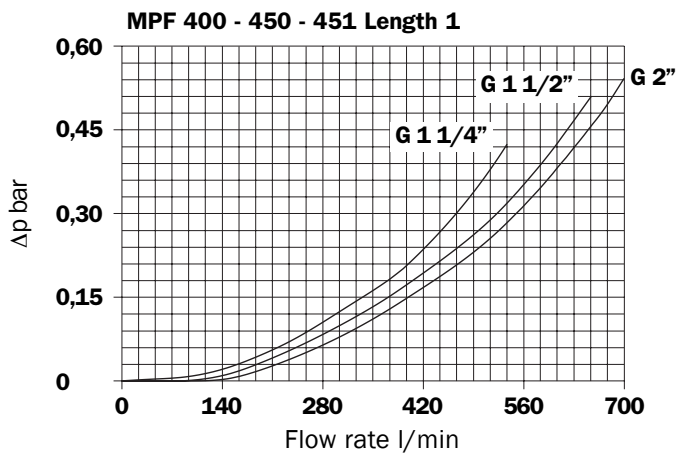
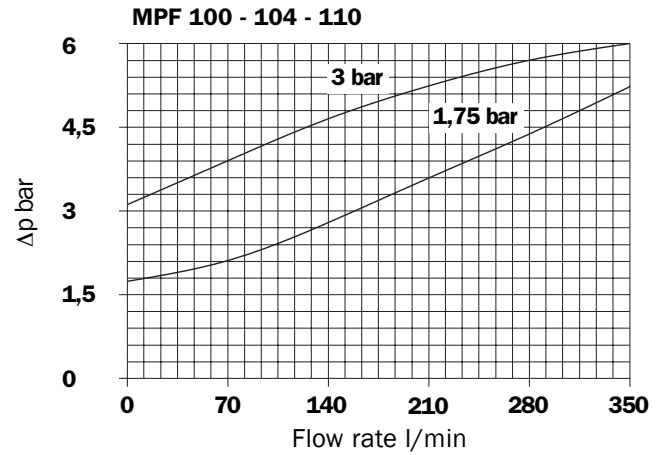
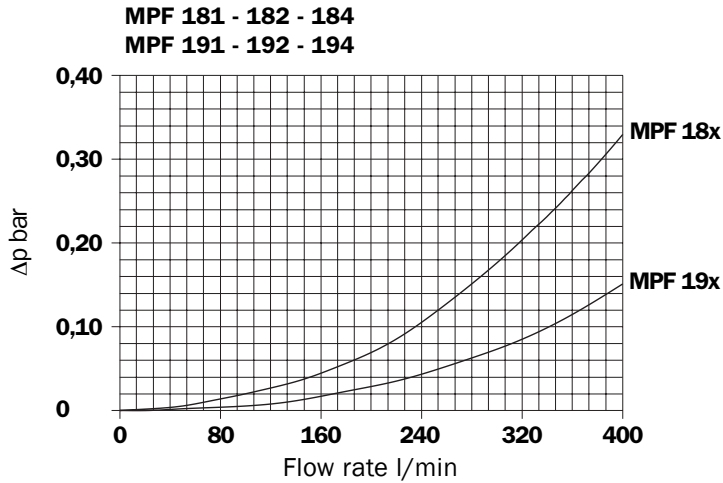
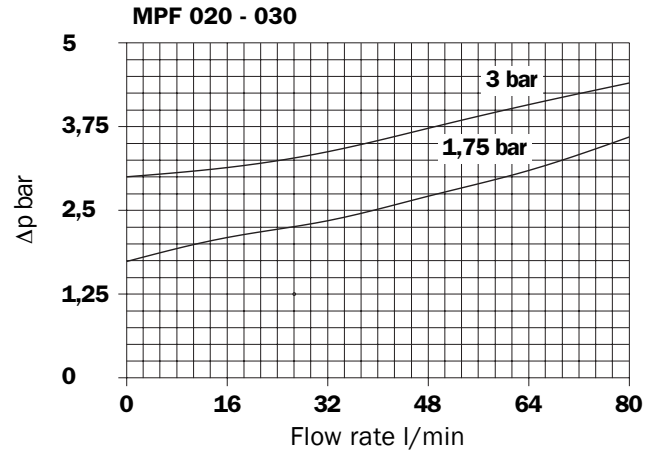
The curves are plotted utilising mineral oil with density of 0.86 kg/dm³ to ISO 3968.

Δp varies proportionally with density.





Valves
Bypass valve pressure drop



Recommended maximum flow rate

- Pressure drop of filter assembly equal to Δp 0,5 bar.
- Oil kinematic viscosity 30 mm²/s (cSt).
- Density 0,86 kg/dm³.

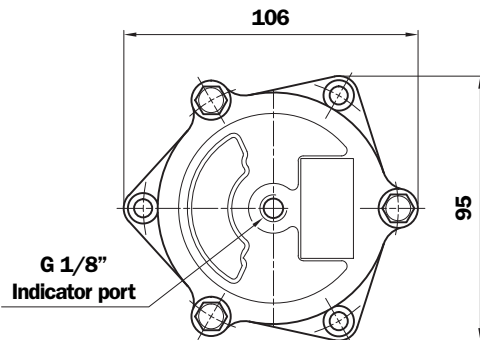
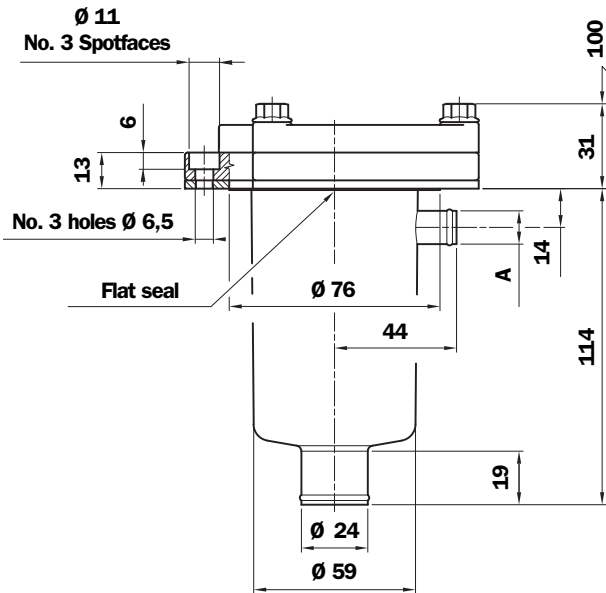
Filtration

| | Length | A03 | A06 | A10 | A16 | A25 | P10 | P25 | M25 - M60 - M90 |
|----------------------|--------|-----|-----|-----|-----|-----|-----|-----|-----------------|
| MPF 020 | 1 | 6 | 9 | 15 | 16 | 25 | 26 | 27 | 30 |
| MPF 030 | 1 | 7 | 10 | 24 | 28 | 48 | 60 | 65 | 70 |
| MPF 100 - 104 | 1 | 17 | 20 | 53 | 56 | 64 | 86 | 94 | 290 |
| 110 | 2 | 28 | 38 | 64 | 75 | 95 | 110 | 120 | 290 |
| | 3 | 47 | 53 | 125 | 135 | 168 | 220 | 250 | 290 |
| | 4 | 78 | 88 | 180 | 185 | 195 | 260 | 280 | 290 |
| MPF 181 - 182 | 1 | 125 | 145 | 230 | 240 | 275 | 280 | 295 | 400 |
| 184 | 2 | 230 | 260 | 350 | 370 | 380 | 390 | 400 | 400 |
| MPF 191 - 192 | 2 | 255 | 295 | 465 | 495 | 500 | 500 | 500 | 500 |
| 194 | | | | | | | | | |
| MPF 400 | 1 | 150 | 170 | 290 | 300 | 350 | 370 | 385 | 580 |
| | 2 | 230 | 250 | 450 | 460 | 580 | 610 | 640 | 750 |
| | 3 | 245 | 290 | 540 | 600 | 620 | 675 | 700 | 750 |
| MPF 450 - 451 | 1 | 150 | 170 | 290 | 300 | 350 | 370 | 385 | 580 |
| | 2 | 230 | 250 | 450 | 460 | 580 | 610 | 640 | 750 |
| | 3 | 245 | 290 | 540 | 600 | 620 | 675 | 700 | 750 |
| MPF 750 | 1 | 390 | 460 | 620 | 700 | 750 | 750 | 750 | 750 |

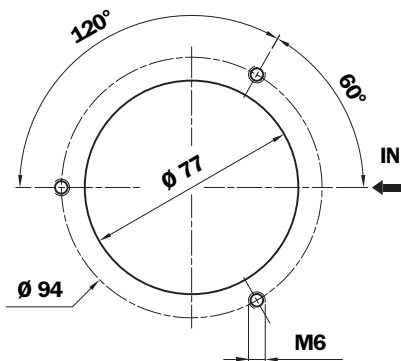
Flow rate l/min

Dimensions

MPF 020



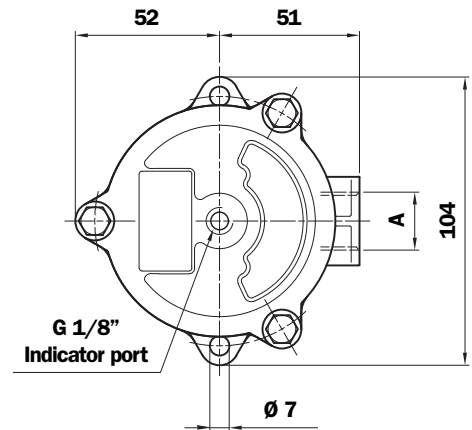
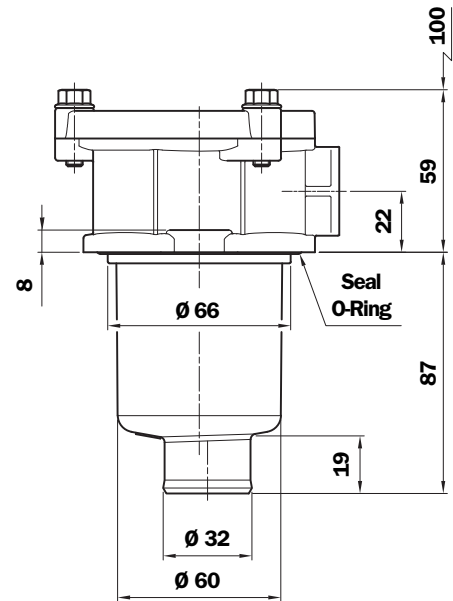
Holes on the tank



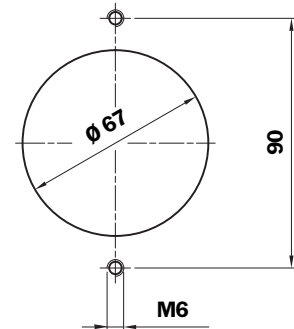
MPF 020 Connection

| Type | A |
|------|------------------------------|
| P1 | Hose barb - $\varnothing 12$ |

MPF 030



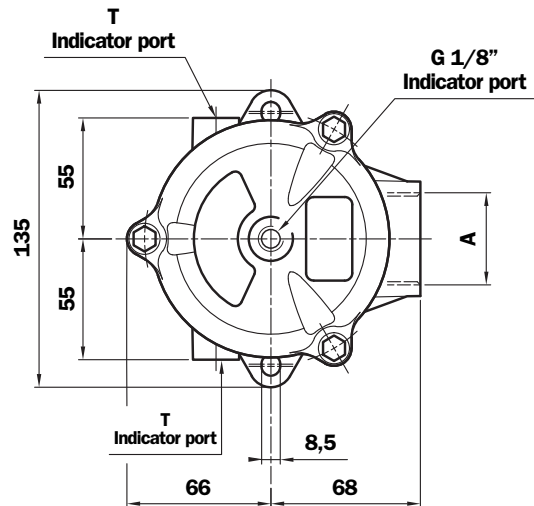
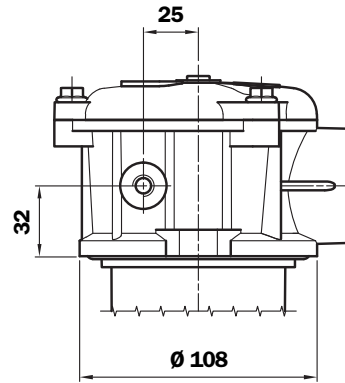
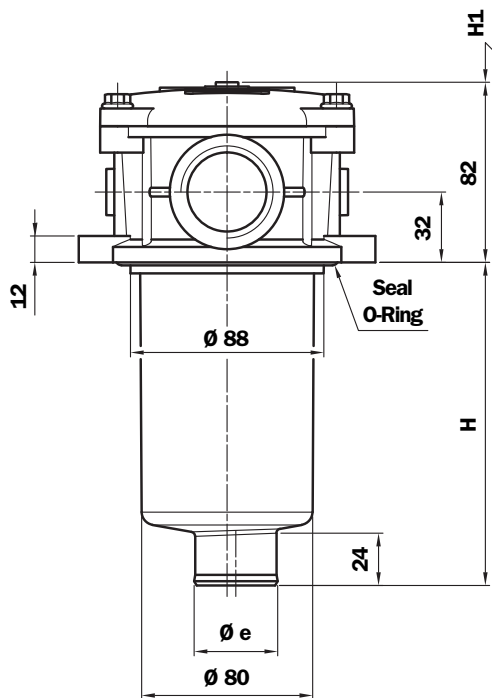
Holes on the tank



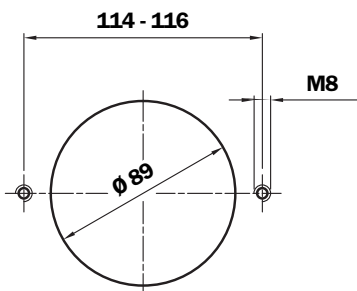
MPF 030 Thread connections

| Type | A |
|------|-----------------------|
| G1 | G 1/2" |
| G4 | 1/2" NPT |
| G7 | SAE 8 - 3/4" - 16 UNF |

MPF 100



Holes on the tank



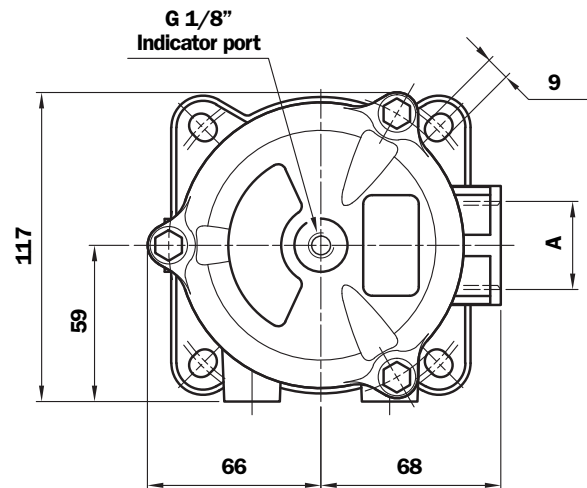
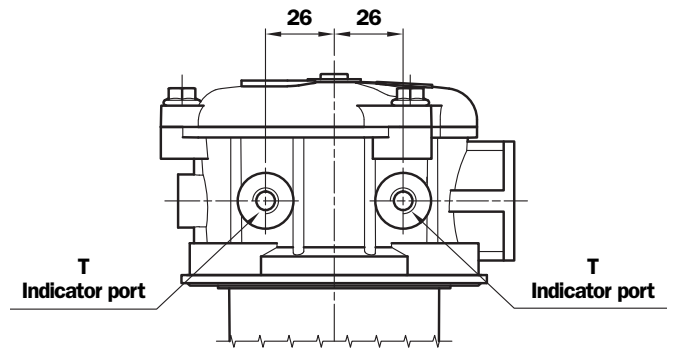
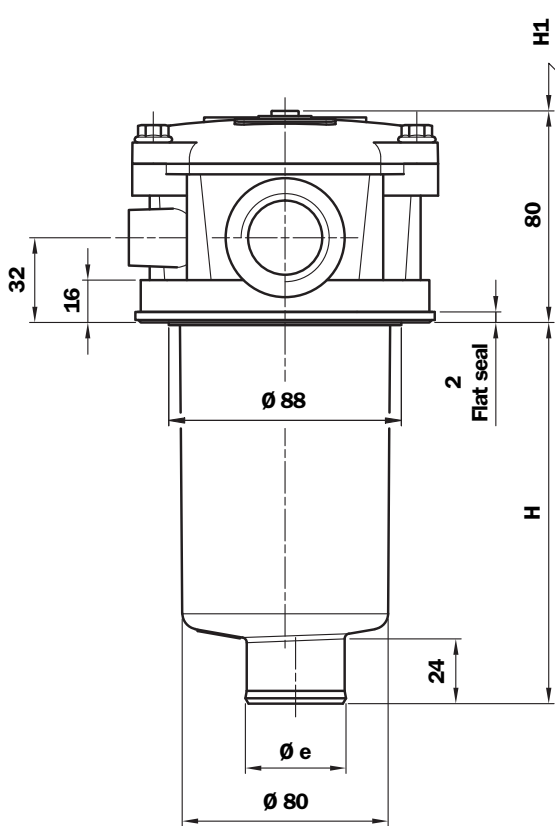
| Filter Length | H mm | H1 mm | Ø e mm |
|---------------|------|-------|--------|
| 1 | 99 | 120 | 38 |
| 2 | 146 | 170 | 38 |
| 3 | 224 | 250 | 46,5 |
| 4 | 326 | 350 | 46,5 |

T indicator port
G 1/4" - 1/4" NPT
ON REQUEST

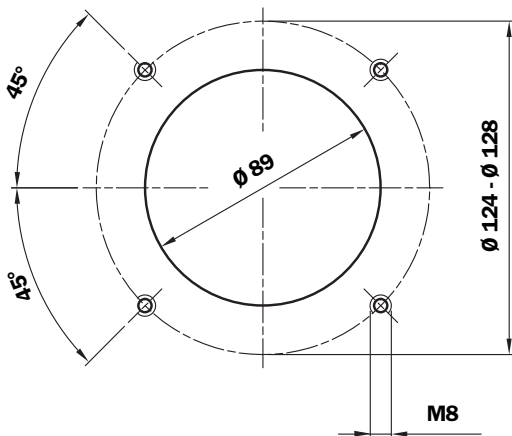
Thread connections

| Type 1 | T | Type 2 | T | A |
|--------|--------------------------------|--------|----------|--------------------------|
| G1 | Indicator port not machined | C1 | G 1/8" | G 1/2" |
| G2 | | C2 | G 1/8" | G 3/4" |
| G3 | | C3 | G 1/8" | G 1" |
| G10 | | C10 | G 1/8" | G 1 1/4" |
| G4 | | C4 | 1/8" NPT | 1/2" NPT |
| G5 | | C5 | 1/8" NPT | 3/4" NPT |
| G6 | | C6 | 1/8" NPT | 1" NPT |
| G11 | | C11 | 1/8" NPT | 1 1/4" NPT |
| G7 | | C7 | 1/8" NPT | SAE 8 - 3/4" - 16 UNF |
| G8 | | C8 | 1/8" NPT | SAE 12 - 1 1/16" - 12 UN |
| G9 | | C9 | 1/8" NPT | SAE 16 - 1 5/16" - 12 UN |
| G12 | | C12 | 1/8" NPT | SAE 20 - 1 5/8" - 12 UN |

MPF 104



Holes on the tank



| Filter Length | H mm | H1 mm | Ø e mm |
|---------------|------|-------|--------|
| 1 | 103 | 120 | 38 |
| 2 | 150 | 170 | 38 |
| 3 | 228 | 250 | 46,5 |
| 4 | 330 | 350 | 46,5 |

Thread connections

| Type 1 | T | Type 2 | T | A |
|--------|--------------------------------|--------|----------|--------------------------|
| G1 | Indicator port not machined | C1 | G 1/8" | G 1/2" |
| G2 | | C2 | G 1/8" | G 3/4" |
| G3 | | C3 | G 1/8" | G 1" |
| G4 | | C4 | 1/8" NPT | 1/2" NPT |
| G5 | | C5 | 1/8" NPT | 3/4" NPT |
| G6 | | C6 | 1/8" NPT | 1" NPT |
| G7 | | C7 | 1/8" NPT | SAE 8 - 3/4" - 16 UNF |
| G8 | | C8 | 1/8" NPT | SAE 12 - 1 1/16" - 12 UN |
| G9 | | C9 | 1/8" NPT | SAE 16 - 1 5/16" - 12 UN |

MPF 110



Multiport
Standard
Single In Port



Multiport
Double In Port
Option: Double Indicator Port

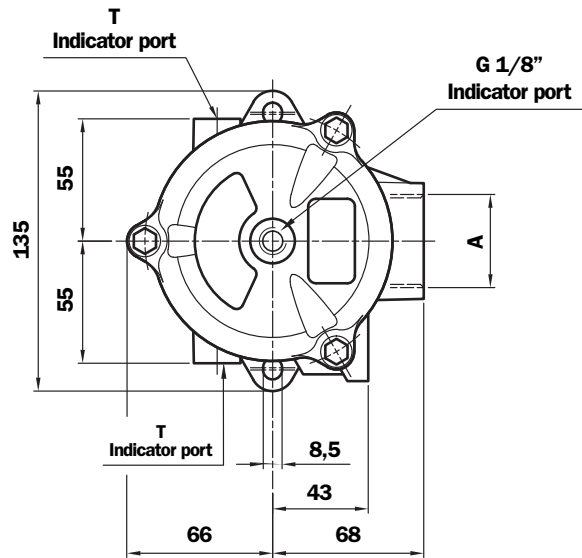
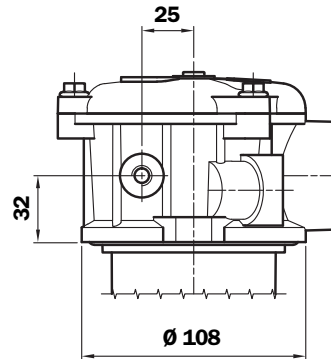
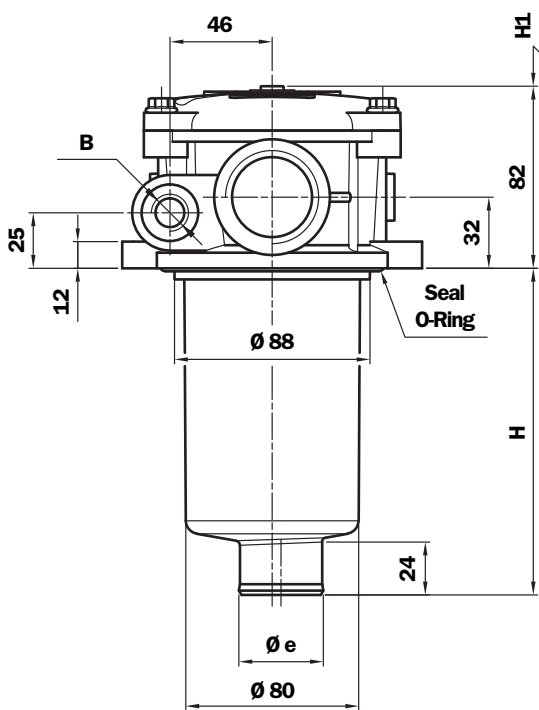


Multiport
Double In Port
Drain Port
Option: Indicator Port

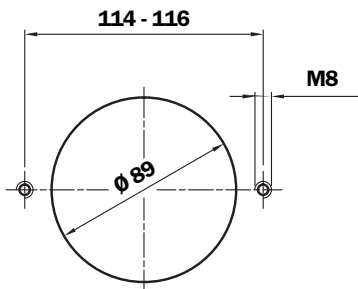


Multiport
Double In Port
Double Drain Port

MPF 110



Holes on the tank



Thread connections A

| Type | T | A |
|------|----------|--------------------------|
| G1 | G 1/8" | G 1/2" |
| G2 | G 1/8" | G 3/4" |
| G3 | G 1/8" | G 1" |
| G10 | G 1/8" | G 1 1/4" |
| G4 | 1/8" NPT | 1/2" NPT |
| G5 | 1/8" NPT | 3/4" NPT |
| G6 | 1/8" NPT | 1" NPT |
| G11 | 1/8" NPT | 1 1/4" NPT |
| G7 | 1/8" NPT | SAE 8 - 3/4" - 16 UNF |
| G8 | 1/8" NPT | SAE 12 - 1 1/16" - 12 UN |
| G9 | 1/8" NPT | SAE 16 - 1 5/16" - 12 UN |
| G12 | 1/8" NPT | SAE 20 - 1 5/8" - 12 UN |

| Filter Length | H mm | H1 mm | Ø e mm |
|---------------|------|-------|--------|
| 1 | 99 | 120 | 38 |
| 2 | 146 | 170 | 38 |
| 3 | 224 | 250 | 46,5 |
| 4 | 326 | 350 | 46,5 |

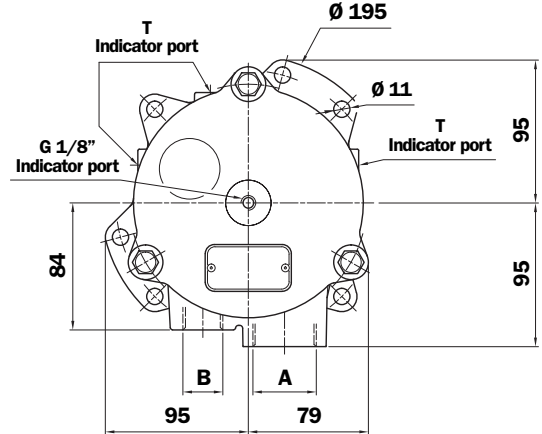
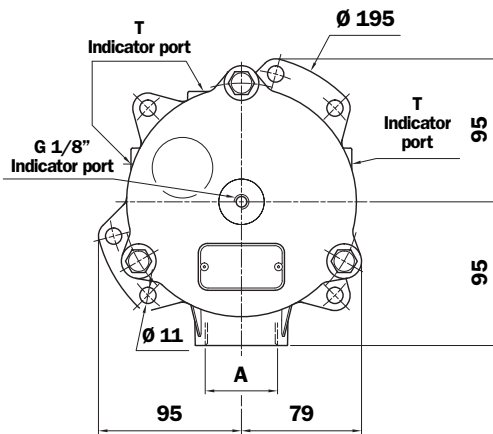
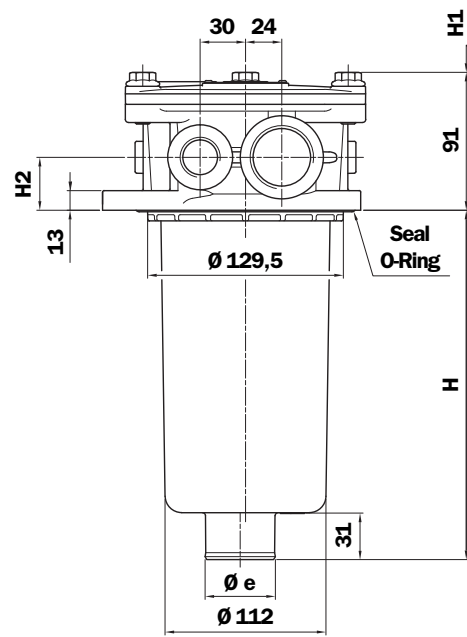
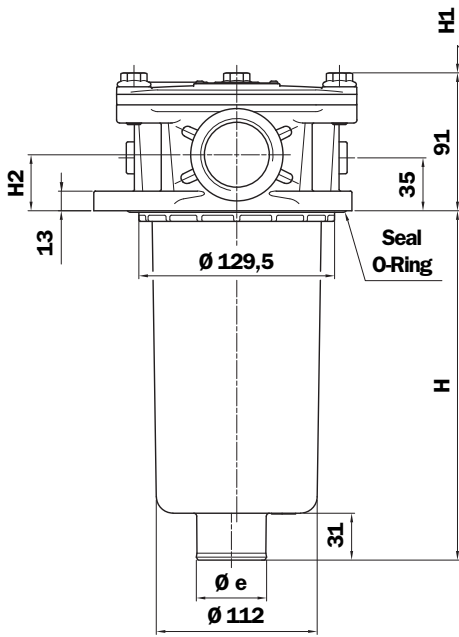
T indicator port
G 1/4" - 1/4" NPT
ON REQUEST

| Thread connections A | Thread connections B | |
|----------------------|------------------------|-----------------------|
| | 1 | 2 |
| G1 - G2 - G3 - G10 | G 3/8" | G 1/2" |
| G4 - G5 - G6 - G11 | 3/8" NPT | 1/2" NPT |
| G7 - G8 - G9 - G12 | SAE 8 - 9/16" - 18 UNF | SAE 8 - 3/4" - 16 UNF |

MPF 181 - 191



MPF 182 - 192



2 option holes on the tank

| MPF | Filter Length | H mm | H1 mm | Ø e mm |
|-----------|---------------|------|-------|--------|
| 181 - 182 | 1 | 233 | 255 | 47 |
| | 2 | 445 | 475 | 47 |
| 191 - 192 | 2 | 445 | 475 | 50 |

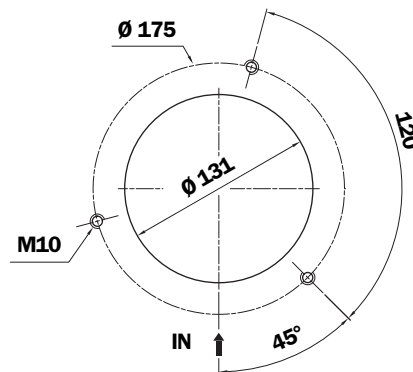
MPF 181 - 191 Thread connections A

| Type 1 | T | Type 2 | T | A | H2 |
|--------|--------------------------------|--------|----------|-------------------------|----|
| G1 | Indicator port not machined | C1 | G 1/8" | G 1 1/4" | 35 |
| G4 | | C4 | 1/8" NPT | 1 1/4" NPT | 35 |
| G7 | | C7 | 1/8" NPT | SAE 20 - 1 5/8" - 12 UN | 35 |
| G2 | Indicator port not machined | C2 | G 1/8" | G 1 1/2" | 37 |
| G5 | | C5 | 1/8" NPT | 1 1/2" NPT | 37 |
| G8 | | C8 | 1/8" NPT | SAE 24 - 1 7/8" - 12 UN | 37 |

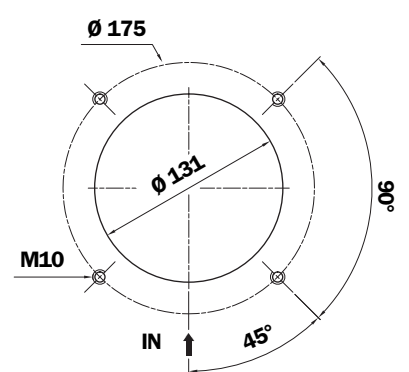
MPF 182 - 192 Thread connections A

| Type 1 | T | Type 2 | T | A | H2 |
|--------|------------------------|--------|----------|-------------------------|----|
| G1 | Ind. port not mach. | C1 | G 1/8" | G 1 1/4" | 35 |
| G4 | | C4 | 1/8" NPT | 1 1/4" NPT | 35 |
| G7 | | C7 | 1/8" NPT | SAE 20 - 1 5/8" - 12 UN | 35 |

3 holes assembly



4 holes assembly



| Thread connections A | Thread connections B (only for MPF 182 - 192) | |
|----------------------|-----------------------------------------------|--------------------------|
| | 1 | 2 |
| G1 - C1 | G 1/2" | G 3/4" |
| G4 - C4 | 1/2 NPT | 3/4" NPT |
| G7 - C7 | SAE 8 - 3/4" - 16 UNF | SAE 12 - 1 1/16" - 12 UN |

T indicator port
G 1/4" - 1/4" NPT
ON REQUEST

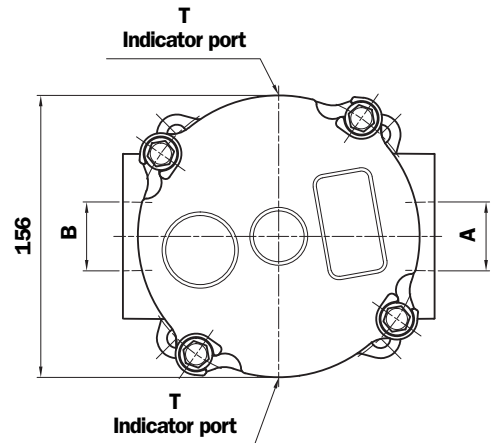
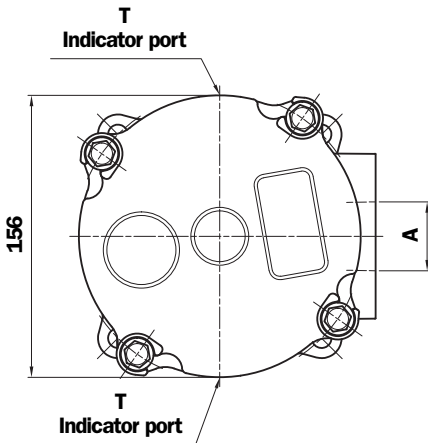
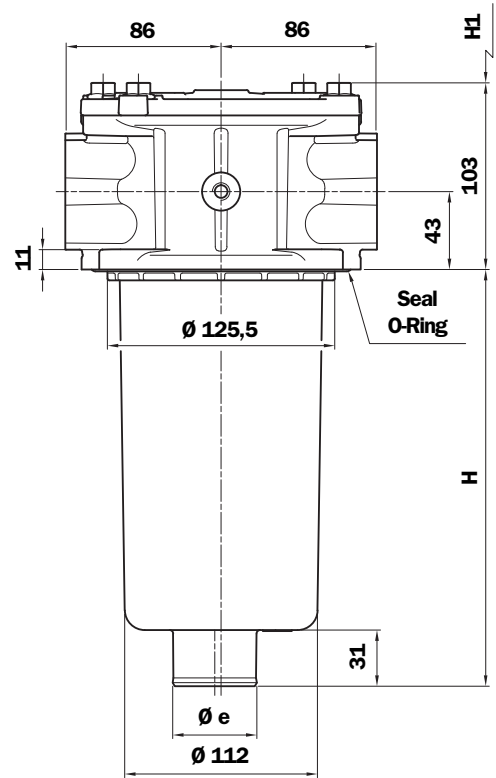
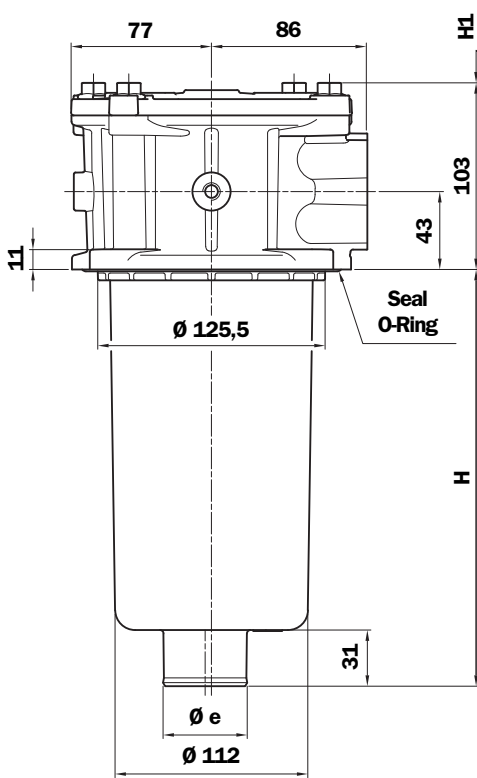
MPF 184 - 194

1 connection port

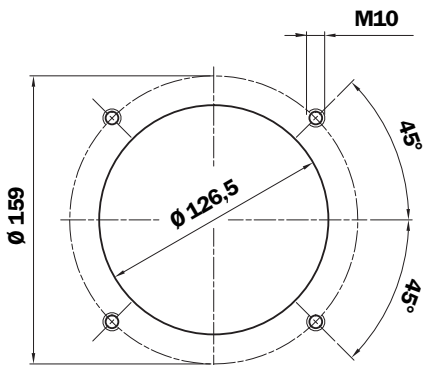


MPF 184 - 194

2 connection port



Holes on the tank



| MPF | Filter Length | H mm | H1 mm | Ø e mm |
|-----|---------------|------|-------|--------|
| 184 | 1 | 230 | 260 | 47 |
| | 2 | 442 | 480 | 47 |
| 194 | 2 | 441 | 480 | 50 |

Thread connections

| Type | A | | T |
|------|-------------------------|---|----------|
| G1 | G 1 1/4" | - | G 1/8" |
| G13 | G 1 1/2" | - | G 1/8" |
| G4 | 1 1/4" NPT | - | 1/8" NPT |
| G15 | 1 1/2" NPT | - | 1/8" NPT |
| G7 | SAE 20 - 1 5/8" - 12 UN | - | 1/8" NPT |
| G10 | SAE 24 - 1 7/8" - 12 UN | - | 1/8" NPT |

| Type | A | B | T |
|------|-------------------------|-------------------------|----------|
| G2 | G 1 1/4" | G 1 1/4" | G 1/8" |
| G14 | G 1 1/2" | G 1 1/4" | G 1/8" |
| G5 | 1 1/4" NPT | 1 1/4" NPT | 1/8" NPT |
| G16 | 1 1/2" NPT | 1 1/4" NPT | 1/8" NPT |
| G8 | SAE 20 - 1 5/8" - 12 UN | SAE 20 - 1 5/8" - 12 UN | 1/8" NPT |
| G11 | SAE 24 - 1 7/8" - 12 UN | SAE 20 - 1 5/8" - 12 UN | 1/8" NPT |

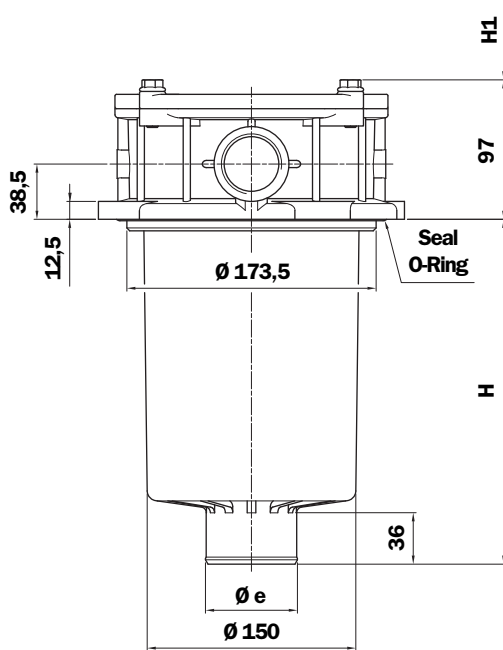
Flange connections*

| Type | A | | T |
|------|-------------------------|---|----------|
| F1 | 1 1/2" SAE 3000 psi/M | - | G 1/8" |
| F2 | 1 1/2" SAE 3000 psi/UNC | - | 1/8" NPT |

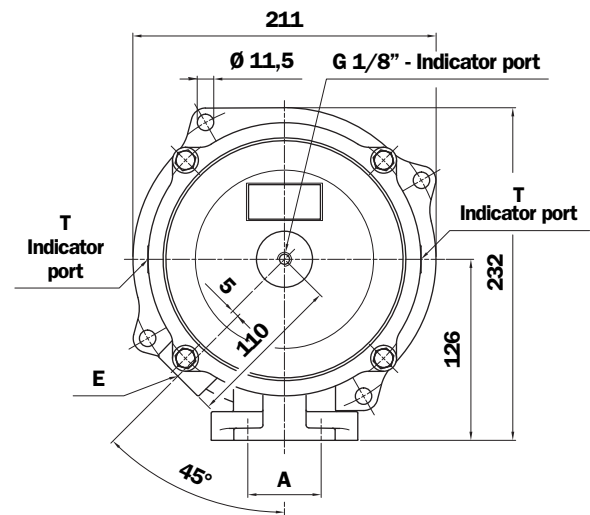
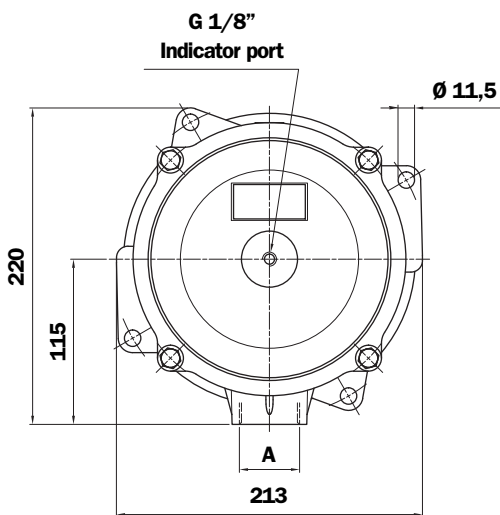
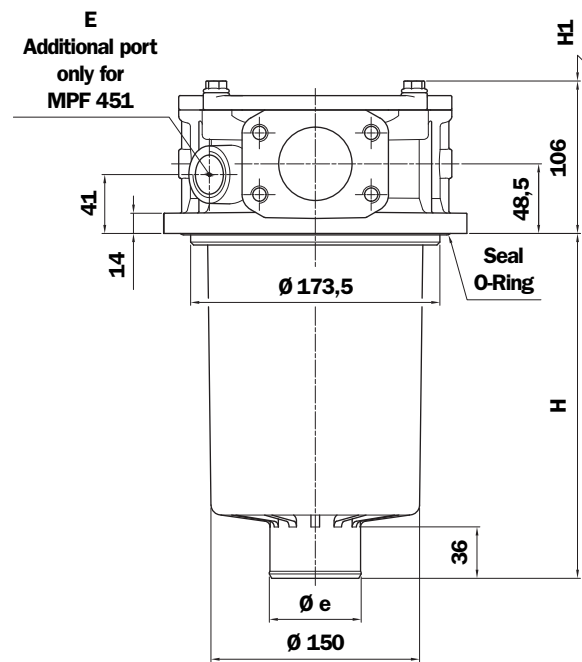
| Type | A | B | T |
|------|-------------------------|-------------------------|----------|
| F3 | 1 1/2" SAE 3000 psi/M | 1 1/2" SAE 3000 psi/M | G 1/8" |
| F4 | 1 1/2" SAE 3000 psi/UNC | 1 1/2" SAE 3000 psi/UNC | 1/8" NPT |

*Connections table "DN - SAE flange" see page 5

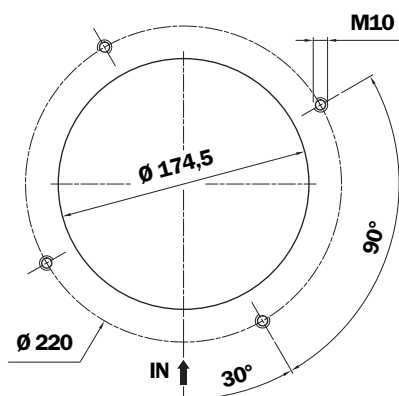
MPF 400



MPF 450 - 451



Holes on the tank



MPF 400

Thread connections

| Type | A |
|------|-------------------------|
| G1 | G 1 1/4" |
| G2 | G 1 1/2" |
| G3 | G 2" |
| G4 | 1 1/4" NPT |
| G5 | 1 1/2" NPT |
| G6 | 2" NPT |
| G7 | SAE 20 - 1 5/8" - 12 UN |
| G8 | SAE 24 - 1 7/8" - 12 UN |
| G9 | SAE 32 - 2 1/2" - 12 UN |

MPF 400 - 450 - 451

| Filter Length | H mm | H1 mm | Ø e mm |
|---------------|------|-------|--------|
| 1 | 180 | 210 | 51 |
| 2 | 240 | 270 | 64 |
| 3 | 290 | 315 | 64 |

MPF 450 - 451

Thread connections

| Type | A | E ⁽¹⁾ | T |
|------|-------------------------|------------------|----------|
| G1 | G 2" | G 3/4" | G 1/8" |
| G4 | 2" NPT | 3/4" NPT | 1/8" NPT |
| G7 | SAE 32 - 2 1/2" - 12 UN | SAE 12 | 1/8" NPT |

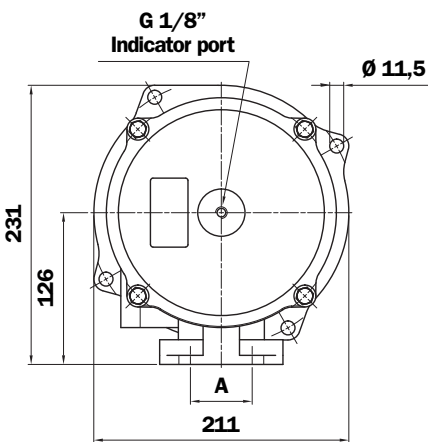
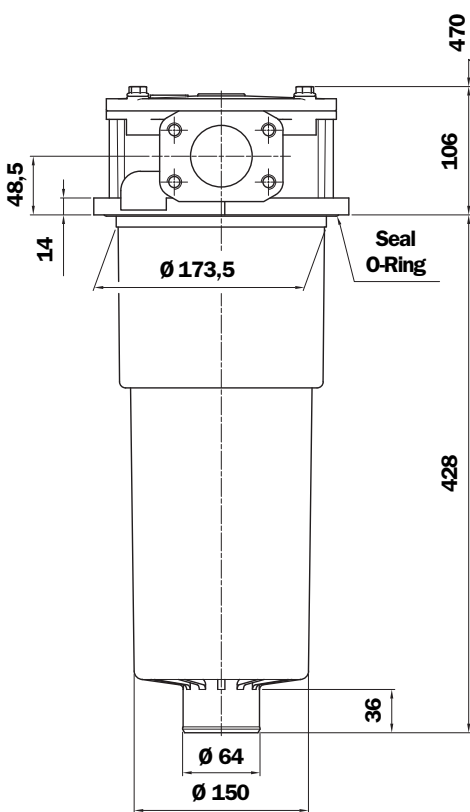
Flange connections MPF 450 - 451⁽²⁾

| Type | A | E ⁽¹⁾ | T |
|------|---------------------|------------------|----------|
| F1 | 2" SAE 3000 psi/M | G 3/4" | G 1/8" |
| F2 | 2" SAE 3000 psi/UNC | 3/4" NPT | 1/8" NPT |

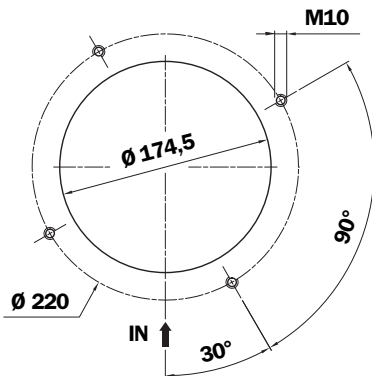
(1) Additional port only for MPF 451

(2) Connections table "DN - SAE flange" see page 5

MPF 750



Holes on the tank



Thread connections

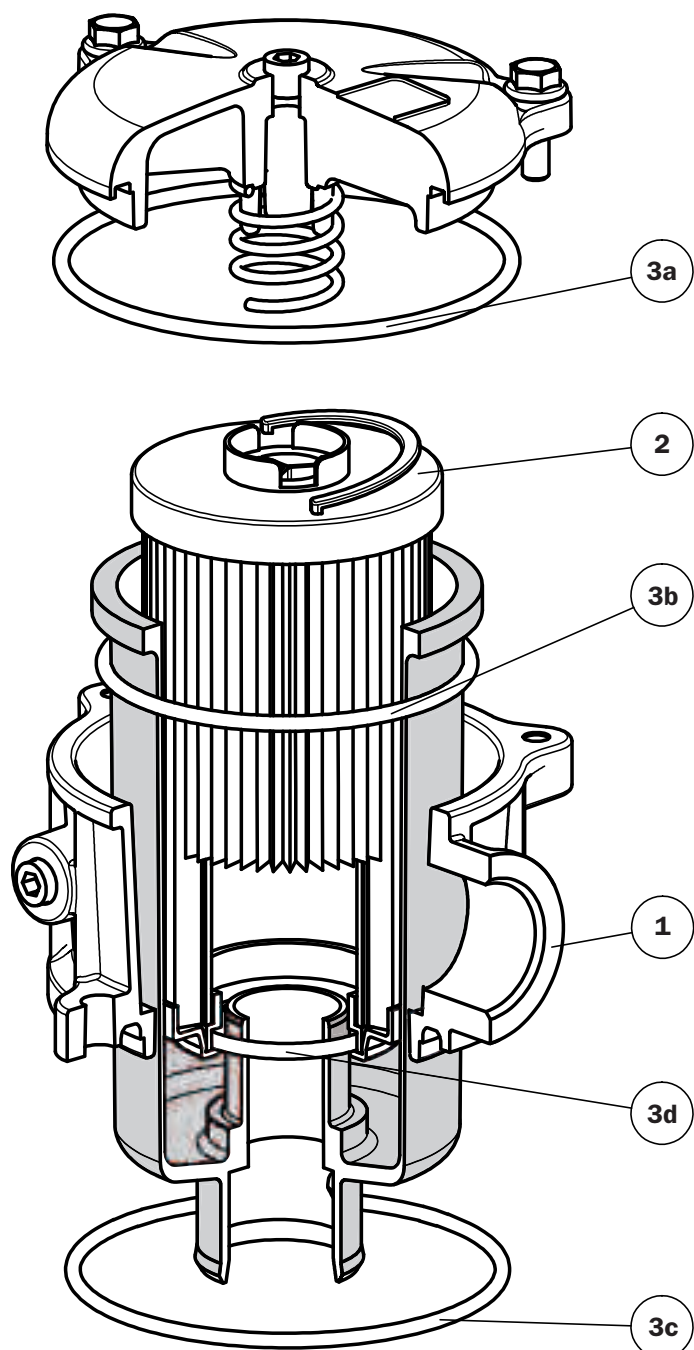
| Type | A |
|------|-------------------------|
| G1 | G 2" |
| G4 | 2" NPT |
| G7 | SAE 32 - 2 1/2" - 12 UN |

Flange connections*

| Type | A |
|------|---------------------|
| F1 | 2" SAE 3000 psi/M |
| F2 | 2" SAE 3000 psi/UNC |

*Connections table "DN - SAE flange" see page 5

Spare parts



Spare parts

| Item | Description | Q.ty | FILTER Series MPF | | | | | | | |
|------|---------------------|------|----------------------------|-----------------|----------------------------|-----------------|---------------------------------------|-----------------|---------------------------------------|-----------------|
| | | | 020 | | 030 | | 100 - 110 | | 104 | |
| 1 | Filter assembly | 1 | See order table | | | | | | | |
| 2 | Filter element | 1 | See order table | | | | | | | |
| 3 | Seal Kit | 1 | NBR 02050438 | FPM 02050439 | NBR 02050055 | FPM 02050056 | NBR 02050057 | FPM 02050058 | NBR 02050350 | FPM 02050408 |
| 3a | Cover seal | 1 | O-R 174 Ø 71,44 x 3,53 | | O-R 174 Ø 71,44 x 3,53 | | O-R 4387 Ø 98,02 x 3,53 | | O-R 4387 Ø 98,02 x 3,53 | |
| 3b | Bowl seal | 1 | - | | O-R 3225 Ø 56,82 x 2,62 | | O-R 4312 Ø 78,97 x 3,53 | | O-R 4312 Ø 78,97 x 3,53 | |
| 3c | Head seal | 1 | 01026335 | 01026336 | O-R 3275 Ø 69,52 x 2,62 | | O-R 6362 Ø 91,44 x 5,34 | | 01026256 | 01026286 |
| 3d | Filter element seal | 1 | O-R 3093 Ø 23,47 x 2,62 | | O-R 3093 Ø 23,47 x 2,62 | | Length 1-2 O-R 4112 Ø 28,17 x 3,53 | | Length 1-2 O-R 4112 Ø 28,17 x 3,53 | |
| | | | | | | | Length 3-4 O-R 4162 Ø 40,86 x 3,53 | | Length 3-4 O-R 4162 Ø 40,86 x 3,53 | |

| Item | Description | Q.ty | FILTER Series MPF | | | | | | | |
|------|---------------------|------|-----------------------------|-----------------|-----------------------------|-----------------|-----------------------------|-----------------|-----------------------------|-----------------|
| | | | 181 - 182 | | 184 | | 191 - 192 | | 194 | |
| 1 | Filter assembly | 1 | See order table | | | | | | | |
| 2 | Filter element | 1 | See order table | | | | | | | |
| 3 | Seal Kit | 1 | NBR 02050059 | FPM 02050060 | NBR 02050455 | FPM 02050456 | NBR 02050457 | FPM 02050458 | NBR 02050459 | FPM 02050460 |
| 3a | Cover seal | 1 | O-R 4537 Ø 136,10 x 3,53 | | O-R 4512 Ø 129,80 x 3,53 | | O-R 4537 Ø 136,10 x 3,53 | | O-R 4512 Ø 129,80 x 3,53 | |
| 3b | Bowl seal | 1 | O-R 4425 Ø 107,50 x 3,53 | | O-R 4425 Ø 107,50 x 3,53 | | O-R 4425 Ø 107,50 x 3,53 | | O-R 4425 Ø 107,50 x 3,53 | |
| 3c | Head seal | 1 | O-R 6535 Ø 135,89 x 5,34 | | O-R 210 Ø 133,40 x 5,34 | | O-R 6535 Ø 135,89 x 5,34 | | O-R 210 Ø 133,40 x 5,34 | |
| 3d | Filter element seal | 1 | O-R 4162 Ø 40,86 x 3,53 | | O-R 4162 Ø 40,86 x 3,53 | | O-R Metric Ø 50 x 4 | | O-R Metric Ø 50 x 4 | |

| Item | Description | Q.ty | FILTER Series MPF | | | | | |
|------|---------------------|------|--------------------------------------|--------------------------------------|--------------------------------------|--------------------------------------|-----------------------------|-----------------|
| | | | 400 | | 450 - 451 | | 750 | |
| 1 | Filter assembly | 1 | See order table | | | | | |
| 2 | Filter element | 1 | See order table | | | | | |
| 3 | Seal Kit | 1 | NBR 02050061 | FPM 02050062 | NBR 02050461 | FPM 02050462 | NBR 02050106 | FPM 02050107 |
| 3a | Cover seal | 1 | O-R 4675 Ø 171 x 3,53 | | O-R 4675 Ø 171 x 3,53 | | O-R 4675 Ø 171 x 3,53 | |
| 3b | Bowl seal | 1 | O-R 221 Ø 149,20 x 5,34 | | O-R 221 Ø 149,20 x 5,34 | | O-R 221 Ø 149,20 x 5,34 | |
| 3c | Head seal | 1 | O-R 233 Ø 181 x 6,99 | | O-R 233 Ø 181 x 6,99 | | O-R 6720 Ø 183,51 x 5,34 | |
| 3d | Filter element seal | 1 | Length 1 O-R 155 Ø 50,80 x 3,53 | Length 1 O-R 155 Ø 50,80 x 3,53 | Length 1 O-R 155 Ø 50,80 x 3,53 | Length 1 O-R 155 Ø 50,80 x 3,53 | O-R 168 Ø 65,09 x 3,53 | |
| | | | Length 2-3 O-R 168 Ø 65,09 x 3,53 | Length 2-3 O-R 168 Ø 65,09 x 3,53 | Length 2-3 O-R 168 Ø 65,09 x 3,53 | Length 2-3 O-R 168 Ø 65,09 x 3,53 | | |

Ordering information MPF 020-030-104

Filter assembly

MPF

| | 1 | 2 | 3 | 4 | 5 | 6 | 8 | 9 |
|----------------|--------------------------|--------------------------|--------------------------|--------------------------|--------------------------|--------------------------|--------------------------|--------------------------|
| MPF | <input type="checkbox"/> | <input type="checkbox"/> | <input type="checkbox"/> | <input type="checkbox"/> | <input type="checkbox"/> | <input type="checkbox"/> | <input type="checkbox"/> | <input type="checkbox"/> |
| Example 1: MPF | 104 | 2 | A | G3 | A06 | H | E | P01 |
| Example 2: MPF | 030 | 1 | A | G1 | A10 | H | B | P01 |

Filter element

MF

| | 1 | 2 | 5 | 6 | 7 | 8 | 9 |
|---------------|--------------------------|--------------------------|--------------------------|--------------------------|--------------------------|--------------------------|--------------------------|
| MF | <input type="checkbox"/> | <input type="checkbox"/> | <input type="checkbox"/> | <input type="checkbox"/> | <input type="checkbox"/> | <input type="checkbox"/> | <input type="checkbox"/> |
| Example 1: MF | 100 | 2 | A06 | H | B | E | P01 |
| Example 2: MF | 030 | 1 | A10 | H | B | B | P01 |

1 - Style

| Filter | Filter element |
|------------------------------|------------------------------|
| <input type="checkbox"/> 020 | <input type="checkbox"/> 030 |
| <input type="checkbox"/> 030 | <input type="checkbox"/> 030 |
| <input type="checkbox"/> 104 | <input type="checkbox"/> 100 |

2 - Filter length

| | | | | | |
|------------------------------|----------------------------|----------------------------|----------------------------|----------------------------|--|
| <input type="checkbox"/> 020 | <input type="checkbox"/> 1 | | | | |
| <input type="checkbox"/> 030 | <input type="checkbox"/> 1 | | | | |
| <input type="checkbox"/> 104 | <input type="checkbox"/> 1 | <input type="checkbox"/> 2 | <input type="checkbox"/> 3 | <input type="checkbox"/> 4 | |

3 - Filter seals & Treatment

| | |
|-----------------------------|--------------------|
| <input type="checkbox"/> A | NBR |
| <input type="checkbox"/> V | FPM |
| <input type="checkbox"/> W* | NBR, head anodized |
| <input type="checkbox"/> Z* | FPM, head anodized |

4 - Connections

MPF 020

| Type | A |
|------|------------------|
| P1 | Hose barb - Ø 12 |

MPF 030

| Type | A |
|------|-----------------------|
| G1 | G 1/2" |
| G4 | 1/2" NPT |
| G7 | SAE 8 - 3/4" - 16 UNF |

MPF 104

| Type 1 | T | Type 2 | T | A |
|--------|-----------------------------|--------|----------|--------------------------|
| G1 | Indicator port not machined | C1 | G 1/8" | G 1/2" |
| G2 | | C2 | G 1/8" | G 3/4" |
| G3 | | C3 | G 1/8" | G 1" |
| G4 | | C4 | 1/8" NPT | 1/2" NPT |
| G5 | | C5 | 1/8" NPT | 3/4" NPT |
| G6 | | C6 | 1/8" NPT | 1" NPT |
| G7 | | C7 | 1/8" NPT | SAE 8 - 3/4" - 16 UNF |
| G8 | | C8 | 1/8" NPT | SAE 12 - 1.1/16" - 12 UN |
| G9 | | C9 | 1/8" NPT | SAE 16 - 1.5/16" - 12 UN |

5 - Filter element

| | | |
|------------------------------|---------------------------|-------------------------------------|
| <input type="checkbox"/> A03 | Inorganic microfibre 3 µ | Absolute filtration βx(c) ≥ 1000 |
| <input type="checkbox"/> A06 | Inorganic microfibre 6 µ | |
| <input type="checkbox"/> A10 | Inorganic microfibre 10 µ | |
| <input type="checkbox"/> A16 | Inorganic microfibre 16 µ | |
| <input type="checkbox"/> A25 | Inorganic microfibre 25 µ | |
| <input type="checkbox"/> M25 | Wire mesh | Nominal Filtration |
| <input type="checkbox"/> M60 | Wire mesh | |
| <input type="checkbox"/> M90 | Wire mesh | |
| <input type="checkbox"/> P10 | Resin impregnated paper | Nominal Filtration |
| <input type="checkbox"/> P25 | Resin impregnated paper | |

6 - Δp Filter element

| | |
|-----------------------------|---------------------------------------------------------|
| <input type="checkbox"/> N | Δp 10 bar (only for filter element type Pxx and Mxx) |
| <input type="checkbox"/> H | Δp 10 bar (only for filter element type Axx) |
| <input type="checkbox"/> W* | Δp 10 bar (only for filter element type Axx and Mxx) |

7 - Filter element seals

| | |
|----------------------------|-----|
| <input type="checkbox"/> B | NBR |
| <input type="checkbox"/> V | FPM |

8 - By-pass valve

| | |
|----------------------------|------------------------------------------------------------|
| <input type="checkbox"/> E | 3 bar |
| <input type="checkbox"/> B | 1.75 bar (Omit in the element code - only for 1.75 bar) |

9 - Option

| | |
|------------------------------|--------------------|
| <input type="checkbox"/> P01 | MP Filtri standard |
|------------------------------|--------------------|

* Compatible with fluid HFA, HFB, HFC

MP Filtri - The filter functions as described in this bulletin are valid exclusively for original MP Filtri filter elements and replacement parts. All rights reserved

The data in this publication are purely guideline. MP Filtri reserves the right to make changes to the models described herein at any time it deems fit in relation to technical or commercial requirements. The colours of the products shown on the cover are purely guideline. Copyright. All rights reserved.

Ordering information MPF 100-110

| | | | | | | | | | |
|------------------------|--------------------------|--------------------------|--------------------------|--------------------------|--------------------------|--------------------------|--------------------------|--------------------------|--------------------------|
| Filter assembly | 1 | 2 | 3 | 4 | 5 | 6 | 7 | 9 | 10 |
| MPF | <input type="checkbox"/> | <input type="checkbox"/> | <input type="checkbox"/> | <input type="checkbox"/> | <input type="checkbox"/> | <input type="checkbox"/> | <input type="checkbox"/> | <input type="checkbox"/> | <input type="checkbox"/> |

Example 1: MPF **110 2 A G3 1 A06 H E P01**
 Example 2: MPF **100 1 W G1 A10 W B P01**

| | | | | | | | |
|-----------------------|--------------------------|--------------------------|--------------------------|--------------------------|--------------------------|--------------------------|--------------------------|
| Filter element | 1 | 2 | 6 | 7 | 8 | 9 | 10 |
| MF | <input type="checkbox"/> | <input type="checkbox"/> | <input type="checkbox"/> | <input type="checkbox"/> | <input type="checkbox"/> | <input type="checkbox"/> | <input type="checkbox"/> |

Example 1: MF **100 2 A06 H B E P01**
 Example 2: MF **100 1 A10 W B P01**

1 - Style

| Filter | Filter element |
|------------|----------------|
| 100 | 100 |
| 110 | 100 |

2 - Filter length

| | | | | |
|------------|----------|----------|----------|----------|
| 100 | 1 | 2 | 3 | 4 |
| 110 | 1 | 2 | 3 | 4 |

3 - Filter seals & Treatment

| | |
|-----------|--------------------|
| A | NBR |
| V | FPM |
| W* | NBR, head anodized |
| Z* | FPM, head anodized |

4 - Connections A

MPF 100

| Type 1 | T | Type 2 | T | A |
|------------|-----------------------------|------------|----------|--------------------------|
| G1 | Indicator port not machined | C1 | G 1/8" | G 1/2" |
| G2 | | C2 | G 1/8" | G 3/4" |
| G3 | | C3 | G 1/8" | G 1" |
| G10 | | C10 | G 1/8" | G 1 1/4" |
| G4 | | C4 | 1/8" NPT | 1/2" NPT |
| G5 | | C5 | 1/8" NPT | 3/4" NPT |
| G6 | | C6 | 1/8" NPT | 1" NPT |
| G11 | | C11 | 1/8" NPT | 1 1/4" NPT |
| G7 | | C7 | 1/8" NPT | SAE 8 - 3/4" - 16 UNF |
| G8 | | C8 | 1/8" NPT | SAE 12 - 1 1/16" - 12 UN |
| G9 | | C9 | 1/8" NPT | SAE 16 - 1 5/16" - 12 UN |
| G12 | | C12 | 1/8" NPT | SAE 20 - 1 5/8" - 12 UN |

MPF 110

| Type | T | A |
|------------|----------|--------------------------|
| G1 | G 1/8" | G 1/2" |
| G2 | G 1/8" | G 3/4" |
| G3 | G 1/8" | G 1" |
| G10 | G 1/8" | G 1 1/4" |
| G4 | 1/8" NPT | 1/2" NPT |
| G5 | 1/8" NPT | 3/4" NPT |
| G6 | 1/8" NPT | 1" NPT |
| G11 | 1/8" NPT | 1 1/4" NPT |
| G7 | 1/8" NPT | SAE 8 - 3/4" - 16 UNF |
| G8 | 1/8" NPT | SAE 12 - 1 1/16" - 12 UN |
| G9 | 1/8" NPT | SAE 16 - 1 5/16" - 12 UN |
| G12 | 1/8" NPT | SAE 20 - 1 5/8" - 12 UN |

5 - Connections B (only for MPF 110)

| Type | Connections A | | |
|----------|--------------------|--------------------|----------------------|
| | G1 - G2 - G3 - G10 | G4 - G5 - G6 - G11 | G7 - G8 - G9 - G12 |
| 1 | G 3/8" | 3/8" NPT | SAE 6 - 9/16" 18 UNF |
| 2 | G 1/2" | 1/2" NPT | SAE 8 - 3/4" 16 UNF |

6 - Filter element

| | | |
|------------|---------------------------|--------------------------------------|
| A03 | Inorganic microfibre 3 μ | Absolute filtration βx (c) ≥ 1000 |
| A06 | Inorganic microfibre 6 μ | |
| A10 | Inorganic microfibre 10 μ | |
| A16 | Inorganic microfibre 16 μ | |
| A25 | Inorganic microfibre 25 μ | |
| M25 | Wire mesh | Nominal Filtration |
| M60 | Wire mesh | |
| M90 | Wire mesh | |
| P10 | Resin impregnated paper | Nominal Filtration |
| P25 | Resin impregnated paper | |

7 - Δp Filter element

| | |
|-----------|---------------------------------------------------------|
| N | Δp 10 bar (only for filter element type Pxx and Mxx) |
| H | Δp 10 bar (only for filter element type Axx) |
| W* | Δp 10 bar (only for filter element type Axx and Mxx) |

8 - Filter element seals

| | |
|----------|-----|
| B | NBR |
| V | FPM |

9 - By-pass valve

| | |
|----------|------------------------------------------------------------|
| E | 3 bar |
| B | 1.75 bar (Omit in the element code - only for 1.75 bar) |

10 - Option

| | |
|------------|--------------------|
| P01 | MP Filtri standard |
|------------|--------------------|

* Compatible with fluid HFA, HFB, HFC

MP Filtri - The filter functions as described in this bulletin are valid exclusively for original MP Filtri filter elements and replacement parts. All rights reserved

The data in this publication are purely guideline. MP Filtri reserves the right to make changes to the models described herein at any time it deems fit in relation to technical or commercial requirements. The colours of the products shown on the cover are purely guideline. Copyright. All rights reserved.

Ordering information NEW MPF 181-182-191-192

| | | | | | | | | | |
|------------------------|--------------------------|--------------------------|--------------------------|--------------------------|--------------------------|--------------------------|--------------------------|--------------------------|--------------------------|
| Filter assembly | 1 | 2 | 3 | 4 | 5 | 6 | 7 | 9 | 10 a |
| MPF | <input type="checkbox"/> | <input type="checkbox"/> | <input type="checkbox"/> | <input type="checkbox"/> | <input type="checkbox"/> | <input type="checkbox"/> | <input type="checkbox"/> | <input type="checkbox"/> | <input type="checkbox"/> |
| Example 1: MPF | 181 | 1 | A | G2 | | A06 | H | E | P01 |
| Example 2: MPF | 192 | 2 | A | G1 | 2 | P10 | N | B | P01 |

| | | | | | | | |
|-----------------------|--------------------------|--------------------------|--------------------------|--------------------------|--------------------------|--------------------------|--------------------------|
| Filter element | 1 | 2 | 6 | 7 | 8 | 9 | 10 b |
| MF | <input type="checkbox"/> | <input type="checkbox"/> | <input type="checkbox"/> | <input type="checkbox"/> | <input type="checkbox"/> | <input type="checkbox"/> | <input type="checkbox"/> |
| Example 1: MF | 180 | 1 | A06 | H | B | E | P01 |
| Example 2: MF | 190 | 2 | P10 | N | B | | P01 |

1 - Style

| | |
|-------------------------------------|-------------------------------------|
| Filter | Filter element |
| <input type="checkbox"/> 181 | <input type="checkbox"/> 180 |
| <input type="checkbox"/> 182 | <input type="checkbox"/> 180 |
| <input type="checkbox"/> 191 | <input type="checkbox"/> 190 |
| <input type="checkbox"/> 192 | <input type="checkbox"/> 190 |

2 - Filter length

| | | |
|-------------------------------------|-----------------------------------|-----------------------------------|
| <input type="checkbox"/> 181 | <input type="checkbox"/> 1 | <input type="checkbox"/> 2 |
| <input type="checkbox"/> 182 | <input type="checkbox"/> 1 | <input type="checkbox"/> 2 |
| <input type="checkbox"/> 191 | | <input type="checkbox"/> 2 |
| <input type="checkbox"/> 192 | | <input type="checkbox"/> 2 |

3 - Filter seals & Treatment

| | |
|------------------------------------|---------------------------------------|
| <input type="checkbox"/> A | NBR |
| <input type="checkbox"/> V | FPM |
| <input type="checkbox"/> W* | NBR, head anodized |
| <input type="checkbox"/> Z* | FPM, head anodized |
| <input type="checkbox"/> B | NBR, flat seal on head |
| <input type="checkbox"/> D | FPM, flat seal on head |
| <input type="checkbox"/> L | NBR, flat seal on head, head anodized |
| <input type="checkbox"/> M | FPM, flat seal on head, head anodized |

4 - Connections A

MPF 181 - 191

| Type 1 | T | Type 2 | T | A |
|--------|-----------------------------|--------|----------|------------------------|
| G1 | Indicator port not machined | C1 | G 1/8" | G 1 1/4" |
| G4 | | C4 | 1/8" NPT | 1 1/4" NPT |
| G7 | | C7 | 1/8" NPT | SAE 20 - 15/8" - 12 UN |
| G2 | | C2 | G 1/8" | G 1 1/2" |
| G5 | | C5 | 1/8" NPT | 1 1/2" NPT |
| G8 | | C8 | 1/8" NPT | SAE 24 - 17/8" - 12 UN |

MPF 182 - 192

| Type 1 | T | Type 2 | T | A |
|--------|---------------------|--------|----------|------------------------|
| G1 | Ind. port not mach. | C1 | G 1/8" | G 1 1/4" |
| G4 | | C4 | 1/8" NPT | 1 1/4" NPT |
| G7 | | C7 | 1/8" NPT | SAE 20 - 15/8" - 12 UN |

5 - Connections B (only for MPF 182 - 192)

| Type | Connections A | | |
|------|---------------|----------|-------------------------|
| | G1 - C1 | G4 - C4 | G7 - C7 |
| 1 | G 1/2" | 1/2" NPT | SAE 8 - 3/4" - 18 UNF |
| 2 | G 3/4" | 3/4" NPT | SAE 12 - 11/16" - 12 UN |

6 - Filter element

| | | |
|-------------------------------------|---------------------------|----------------------------------------------------|
| <input type="checkbox"/> A03 | Inorganic microfibre 3 µ | } Absolute filtration β _x (c) ≥ 1000 |
| <input type="checkbox"/> A06 | Inorganic microfibre 6 µ | |
| <input type="checkbox"/> A10 | Inorganic microfibre 10 µ | |
| <input type="checkbox"/> A16 | Inorganic microfibre 16 µ | |
| <input type="checkbox"/> A25 | Inorganic microfibre 25 µ | |
| <input type="checkbox"/> M25 | Wire mesh | } Nominal Filtration |
| <input type="checkbox"/> M60 | Wire mesh | |
| <input type="checkbox"/> M90 | Wire mesh | |
| <input type="checkbox"/> P10 | Resin impregnated paper | } Nominal Filtration |
| <input type="checkbox"/> P25 | Resin impregnated paper | |

7 - Δp Filter element

| | |
|------------------------------------|---------------------------------------------------------|
| <input type="checkbox"/> N | Δp 10 bar (only for filter element type Pxx and Mxx) |
| <input type="checkbox"/> H | Δp 10 bar (only for filter element type Axx) |
| <input type="checkbox"/> W* | Δp 10 bar (only for filter element type Axx and Mxx) |

8 - Filter element seals

| | |
|-----------------------------------|-----|
| <input type="checkbox"/> B | NBR |
| <input type="checkbox"/> V | FPM |

9 - By-pass valve

| | |
|-----------------------------------|------------------------------------------------------------|
| <input type="checkbox"/> E | 3 bar |
| <input type="checkbox"/> B | 1.75 bar (Omit in the element code - only for 1.75 bar) |

10 - Option

| | |
|-------------------------------------|--------------------------------------------------------------------------|
| a) Filter | |
| <input type="checkbox"/> P01 | MP Filtri standard |
| <input type="checkbox"/> Sxx | Filter assembly with steel extension tube mounted (only for MPF 191-192) |
| b) Filter element | |
| <input type="checkbox"/> P01 | MP Filtri standard |

* Compatible with fluid HFA, HFB, HFC

MP Filtri - The filter functions as described in this bulletin are valid exclusively for original MP Filtri filter elements and replacement parts. All rights reserved

The data in this publication are purely guideline. MP Filtri reserves the right to make changes to the models described herein at any time it deems fit in relation to technical or commercial requirements. The colours of the products shown on the cover are purely guideline. Copyright. All rights reserved.

Ordering information MPF 184-194-400-750

Filter assembly

MPF

| | | | | | | | | |
|-----------------------|--------------------------|--------------------------|--------------------------|--------------------------|--------------------------|--------------------------|--------------------------|--------------------------|
| | 1 | 2 | 3 | 4 | 5 | 6 | 8 | 9a |
| | <input type="checkbox"/> | <input type="checkbox"/> | <input type="checkbox"/> | <input type="checkbox"/> | <input type="checkbox"/> | <input type="checkbox"/> | <input type="checkbox"/> | <input type="checkbox"/> |
| Example 1: MPF | 184 | 2 | A | G2 | A06 | H | E | P01 |
| Example 2: MPF | 750 | 1 | A | G4 | P10 | N | B | P01 |

Filter element

MF

| | | | | | | | |
|----------------------|--------------------------|--------------------------|--------------------------|--------------------------|--------------------------|--------------------------|--------------------------|
| | 1 | 2 | 5 | 6 | 7 | 8 | 9b |
| | <input type="checkbox"/> | <input type="checkbox"/> | <input type="checkbox"/> | <input type="checkbox"/> | <input type="checkbox"/> | <input type="checkbox"/> | <input type="checkbox"/> |
| Example 1: MF | 180 | 2 | A06 | H | B | E | P01 |
| Example 2: MF | 750 | 1 | P10 | N | B | | P01 |

1 - Style

| Filter | Filter element |
|----------------------------------|----------------|
| 184 | 180 |
| 194 | 190 |
| 400 450 451 | 400 |
| 750 | 750 |

2 - Filter length

| | | |
|----------------------------------|----------|-------------------|
| 184 | 1 | 2 |
| 194 | | 2 |
| 400 450 451 | 1 | 2 3 |
| 750 | 1 | |

3 - Filter seals & Treatment

| | |
|-----------|--------------------|
| A | NBR |
| V | FPM |
| W* | NBR, head anodized |
| Z* | FPM, head anodized |

4 - Connections

MPF 184 - 194

| Type | A | B |
|------------|-------------------------|-------------------------|
| G1 | G 1 1/4" | - |
| G13 | G 1 1/2" | - |
| G4 | 1 1/4" NPT | - |
| G15 | 1 1/2" NPT | - |
| G7 | SAE 20 - 1 5/8" - 12 UN | - |
| G10 | SAE 24 - 1 7/8" - 12 UN | - |
| G2 | G 1 1/4" | G 1 1/4" |
| G14 | G 1 1/2" | G 1 1/4" |
| G5 | 1 1/4" NPT | 1 1/4" NPT |
| G16 | 1 1/2" NPT | 1 1/4" NPT |
| G8 | SAE 20 - 1 5/8" - 12 UN | SAE 20 - 1 5/8" - 12 UN |
| G11 | SAE 24 - 1 7/8" - 12 UN | SAE 20 - 1 5/8" - 12 UN |
| F1 | 1 1/2" SAE 3000 psi/M | - |
| F2 | 1 1/2" SAE 3000 psi/UNC | - |
| F3 | 1 1/2" SAE 3000 psi/M | 1 1/2" SAE 3000 psi/M |
| F4 | 1 1/2" SAE 3000 psi/UNC | 1 1/2" SAE 3000 psi/UNC |

MPF 400

| Type | A | Type | A |
|-----------|------------|-----------|-------------------------|
| G1 | G 1 1/4" | G6 | 2" NPT |
| G2 | G 1 1/2" | G7 | SAE 20 - 1 5/8" - 12 UN |
| G3 | G 2" | G8 | SAE 24 - 1 7/8" - 12 UN |
| G4 | 1 1/4" NPT | G9 | SAE 32 - 2 1/2" - 12 UN |
| G5 | 1 1/2" NPT | - | - |

MPF 450 - 451 - 750

| Type | A | E(1) |
|-----------|-------------------------|----------|
| G1 | G 2" | G 3/4" |
| G4 | 2" NPT | 3/4" NPT |
| G7 | SAE 32 - 2 1/2" - 12 UN | SAE 12 |
| F1 | 2" SAE 3000 psi/M | G 3/4" |
| F2 | 2" SAE 3000 psi/UNC | 3/4" NPT |

(1) Additional port only for MPF 451

5 - Filter element

| | | | |
|------------|-------------------------|------|--------------------------------------|
| A03 | Inorganic microfibre | 3 μ | Absolute filtration βx (c) ≥ 1000 |
| A06 | Inorganic microfibre | 6 μ | |
| A10 | Inorganic microfibre | 10 μ | |
| A16 | Inorganic microfibre | 16 μ | |
| A25 | Inorganic microfibre | 25 μ | |
| M25 | Wire mesh | | Nominal Filtration |
| M60 | Wire mesh | | |
| M90 | Wire mesh | | |
| P10 | Resin impregnated paper | | Nominal Filtration |
| P25 | Resin impregnated paper | | |

6 - Δp Filter element

| | |
|-----------|---------------------------------------------------------|
| N | Δp 10 bar (only for filter element type Pxx and Mxx) |
| H | Δp 10 bar (only for filter element type Axx) |
| W* | Δp 10 bar (only for filter element type Axx and Mxx) |

7 - Filter element seals

| | |
|----------|-----|
| B | NBR |
| V | FPM |

8 - By-pass valve

| | |
|----------|------------------------------------------------------------|
| E | 3 bar |
| B | 1.75 bar (Omit in the element code - only for 1.75 bar) |

9 - Option

| | |
|--------------------------|--------------------------------------------------------------------------------------|
| a) Filter | |
| P01 | MP Filtri standard |
| Sxx | Filter assembly with steel extension tube mounted (only for MPF 194-400-450-451-750) |
| b) Filter element | |
| P01 | MP Filtri standard |

* Compatible with fluid HFA, HFB, HFC

MP Filtri - The filter functions as described in this bulletin are valid exclusively for original MP Filtri filter elements and replacement parts. All rights reserved

The data in this publication are purely guideline. MP Filtri reserves the right to make changes to the models described herein at any time it deems fit in relation to technical or commercial requirements. The colours of the products shown on the cover are purely guideline. Copyright. All rights reserved.